

## **Excellent Integrated System Limited**

Stocking Distributor

Click to view price, real time Inventory, Delivery & Lifecycle Information:

[TE Connectivity AMP Connectors](#)  
[148249-1](#)

For any questions, you can email us directly:

[sales@integrated-circuit.com](mailto:sales@integrated-circuit.com)



4

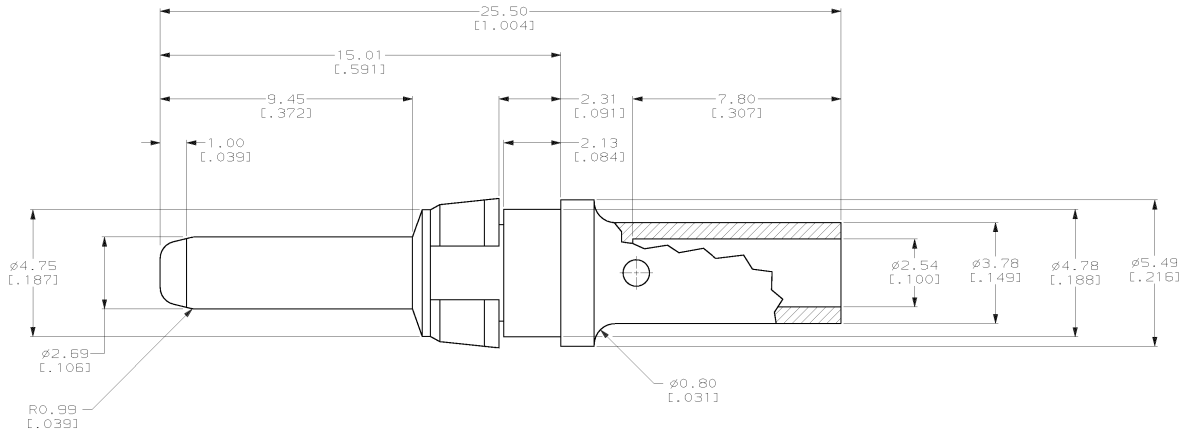
3

2

1

THIS DRAWING IS UNCLASSIFIED. RELEASED FOR PUBLICATION BY AMP INCORPORATED. ALL RIGHTS RESERVED.

REV	DATE	DESCRIPTION	DATE	BY	APP
AD	25				
C		REDRAWN PER EC 001B-0034-00	23 MAR 00		



- △ CONTACT: BRASS.  
RETAINING RING: BERYLLIUM COPPER.
- △ CONTACT: 0.76µm[.000030] MIN GOLD  
OVER 1.27µm[.000050] MIN NICKEL.
- 3. WIRE BARREL WILL ACCEPT 12-14 AWG WIRE.
- 4. MATES WITH 148250-1.
- 5. RECOMMENDED CRIMPING TOOL: DANIELS TOOL #M300-BT, POSITIONER PART NUMBER SP689, SETTING #1, STRIP LENGTH 8.13[.320].

148249-1  
PART NUMBER

THIS DRAWING IS A CONTROLLED DOCUMENT.		BY: B. CARRO 23 MAR 00	DATE: 23 MAR 00	AMP Incorporated Harrisburg, PA 17105-3608
DIMENSIONS: (mm, INCHES) 1 F/LC ±.015 (1.005) 2 F/LC ±.015 (1.005) 3 F/LC ±.015 (1.005) 4 F/LC ±.015 (1.005)		CHK: J. RICHARD 23 MAR 00	DATE: 23 MAR 00	
MATERIAL:  P10588		PRODUCT SPEC: —	APPLICATION SPEC: —	NAME: POWER CONTACT MALE, CRIMP, MFBL, AWG 12-14 (20 AMP)
WEIGHT: —		SIZE: A2	CAGE CODE: 00779	DRAWING NO: 148249 RESTRICTED TO: —
CUSTOMER DRAWING		SCALE: 10:1		SHEET 1 OF 1 REV C

148249