

## **Excellent Integrated System Limited**

Stocking Distributor

Click to view price, real time Inventory, Delivery & Lifecycle Information:

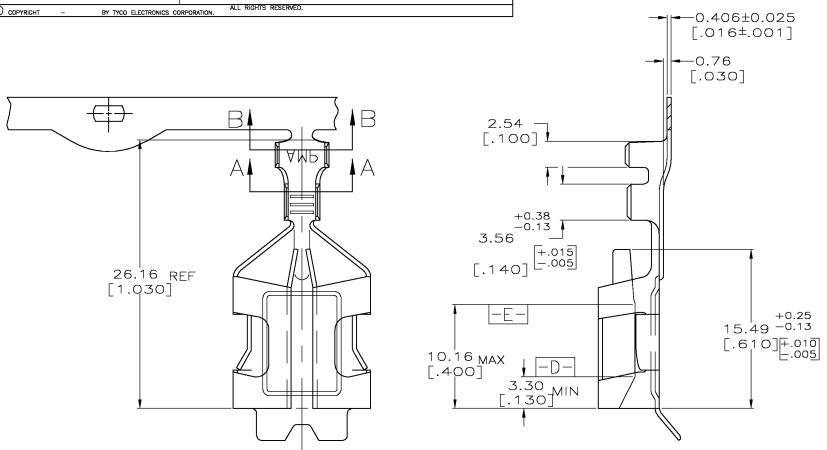
[TE Connectivity AMP Connectors](#)  
[640748-1](#)

For any questions, you can email us directly:

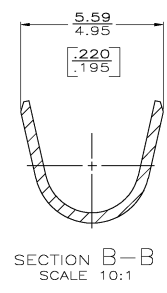
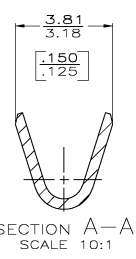
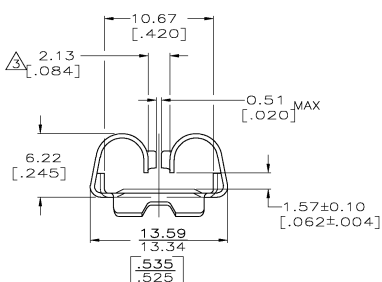
[sales@integrated-circuit.com](mailto:sales@integrated-circuit.com)

THIS DRAWING IS UNPUBLISHED.  
RELEASED FOR PUBLICATION  
COPYRIGHT © BY TYCO ELECTRONICS CORPORATION. ALL RIGHTS RESERVED.

LOC	DATE	REVISIONS	DATE	BY	APP'D
AF	50				
		DESCRIPTION			
R		REV PER DG3A-0133-04	01MARD4	JR	DD



- 1 ACCEPTS TAB OR RING 1.78 - 2.41 [.070 - .095] THK X 7.92 - 9.52 [.312 - .375] WIDE.
- 2 WILL NOT MATE WITH A TAB OR RING GREATER THAN 0.25 [.010] LESS IN THICKNESS THAN ONE PREVIOUSLY USED.
- 3 DIMENSION APPLIES BETWEEN  $\square$ -D- AND  $\square$ -E- .
- 4 PRELIMINARY - NOT FOR PRODUCTION.



REDUCED REEL COUNT	#4 HD COPPER-NICKEL ALLOY			640748-6
	TM06 COPPER-NICKEL-SILICON ALLOY	3.96 MAX DIA [.156]	0.8 - 2.0mm <sup>2</sup> [18-14] AWG	640748-4
	#4 HD COPPER-NICKEL ALLOY			640748-1
	MATERIAL	TAB THICKNESS	INSULATION RANGE	WIRE SIZE

THIS DRAWING IS A CONTROLLED DOCUMENT.		DATE	BY	FOR	REVISED
DIMENSIONS: INCHES		2/14/91	JR	F. FORTNEY	2/14/91
DIMENSIONS: MILLIMETERS		2/14/91	JR	R. BUTH	2/14/91
DRAWING NO.		2/14/91	SR	S. WEAVILL	2/14/91
MATERIAL		FINISH	WEIGHT	SIZE	DATE CODE
SEE TABLE				A2	00779
CUSTOMER DRAWING		SCALE	4:1	SHEET	1 OF 1