

Excellent Integrated System Limited

Stocking Distributor

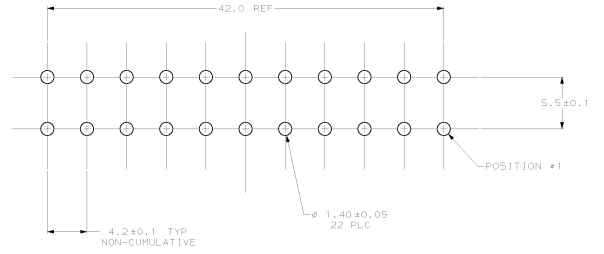
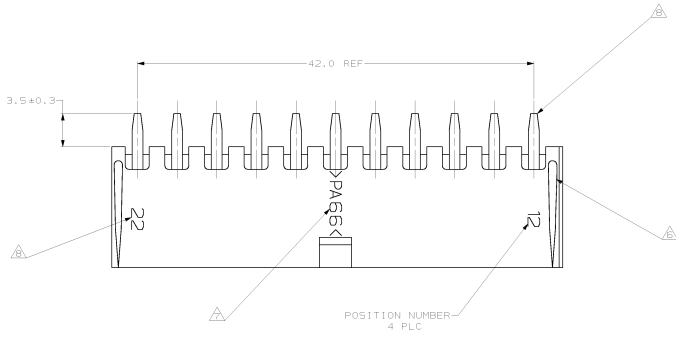
Click to view price, real time Inventory, Delivery & Lifecycle Information:

[TE Connectivity AMP Connectors](#)
[794359-1](#)

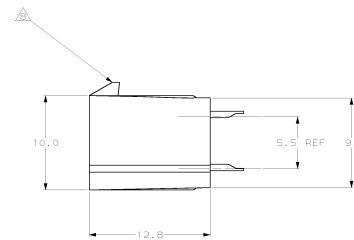
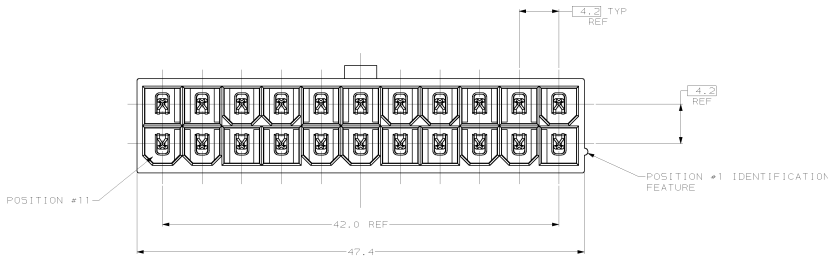
For any questions, you can email us directly:

sales@integrated-circuit.com

- ⚠ MATERIAL: HOUSING - NYLON, UL94V-2 (COLOR - NATURAL, COLOR OF PARTS MAY VARY), CONTACTS - 0.25 THK COPPER ALLOY.
- ⚠ CONTACT FINISH: 0.003 MIN THK TIN-LEAD OVER 0.00127 MIN THK NICKEL OVER ENTIRE CONTACT.
- ⚠ CONTACT FINISH: 0.00075 MIN THK GOLD PLATE ON PIN MATING SURFACE, 0.003 MIN THK TIN-LEAD PLATE ON SOLDER TAIL, ALL OVER 0.00127 MIN THK NICKEL BASE PLATE.
- 4. SOLDER TAIL MEETS AMP SOLDERABILITY SPECIFICATION 109-11-2.
- 5. MATES WITH SIMILARLY PLATED AMP-DUAC™ POWER CONNECTOR RECEPTACLE HOUSINGS/SOCKET CONTACTS.
- ⚠ RIBS ON FOUR CORNERS OPTIONAL.
- ⚠ AMP LOGO AND MATERIAL ID MAY BE LOCATED ON EITHER LONG SIDE OF PART.
- ⚠ SIZE, SHAPE OR STYLE OF THIS FEATURE MAY VARY.



RECOMMENDED MOUNTING HOLE PATTERN FOR 1.78 MAX THICK P.C. BOARD COMPONENT SIDE SHOWN



794359-2		794359-1		794359-1
CONTACT		HOUSING		PART NO
MATERIAL	FINISH	MATERIAL	COLOR	
THIS DRAWING IS A CONTROLLED DOCUMENT.		AMP Incorporated Harrisburg, PA 17105-3608		
UNLESS OTHERWISE SPECIFIED: DIMENSIONS: IN	UNLESS OTHERWISE SPECIFIED: DIMENSIONS: MM	AMP ASSEMBLY, HEADER, VERTICAL, 22 POSITION, W/DRAIN HOLES, 94V-2 AMP-DUAC™ POWER CONNECTOR		
BY: ALC	DATE: 7/87	SCALE: 1:1		
BY: ALC	DATE: 7/87	SCALE: 1:1		
BY: ALC	DATE: 7/87	SCALE: 1:1		
BY: ALC	DATE: 7/87	SCALE: 1:1		
MATERIAL: SEE TABLE		FINISH: SEE TABLE		REVISIONS: A
CUSTOMER DRAWING				REV: S-1

METRIC