

Excellent Integrated System Limited

Stocking Distributor

Click to view price, real time Inventory, Delivery & Lifecycle Information:

[TE Connectivity AMP Connectors](#)
[748270-2](#)

For any questions, you can email us directly:

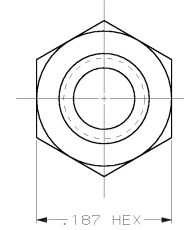
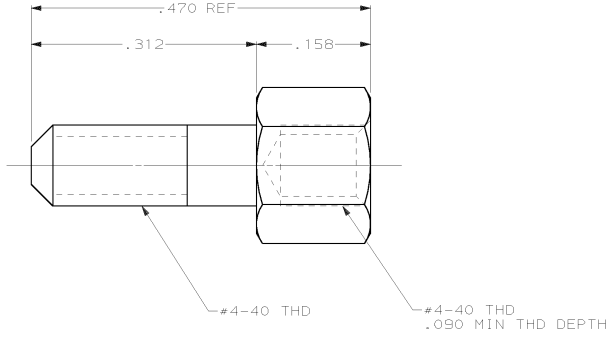
sales@integrated-circuit.com

DRAWING MADE IN THIRD ANGLE PROJECTION

THIS DRAWING IS UNPUBLISHED. RELEASED FOR PUBLICATION .19
 © COPYRIGHT 19 BY AMP INCORPORATED. ALL INTERNATIONAL RIGHTS RESERVED.

LRC	0101	P	F	ZONE	LTR	REVISIONS	DATE	APPD
GP	00			B		REVISED PER EC 0513-0395-02	28MAR03	JG

- ⚠ MATERIAL: COLD ROLLED STEEL PER ASTM A108.
- ⚠ FINISH: ZINC PLATED PER ASTM B633, TYPE II, CLASS SCI, YELLOW CHROMATE.
- ⚠ MATERIAL: BRASS.
- ⚠ FINISH: NICKEL PLATED, .050μ MINIMUM.



OBSOLETE	⚠	⚠	⚠	748270-3
	⚠	⚠	⚠	748270-2
	FINISH	MATERIAL	PART NO	

DO NOT SCALE PRINT. UNLESS SPECIFIED DIMENSIONS IN INCHES TOLERANCES ON :	DR -	AMP INCORPORATED Harrisburg, Pa. 17105		
2 PLC DEC ±	CHK -			
3 PLC DEC ± .005	APPO -	NAME SCREWLOCK, FEMALE, SHORT HEAD .090 PANEL, AMPLIMITE		
ANGLES # -	APPO -			
MATERIAL	PRODUCT SPEC			
SEE TABLE				
FINISH	APPLICATION SPEC	SIZE	FSCM NO	DRAWING NO
SEE TABLE		C	00779	748270
	WEIGHT	SCALE	10:1	SHEET 1 OF 1