

Excellent Integrated System Limited

Stocking Distributor

Click to view price, real time Inventory, Delivery & Lifecycle Information:

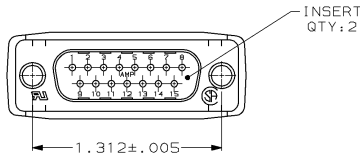
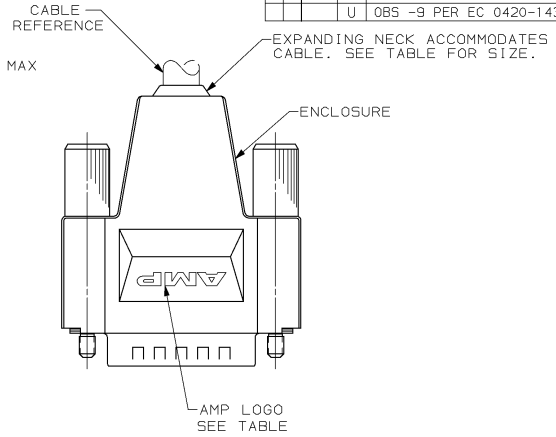
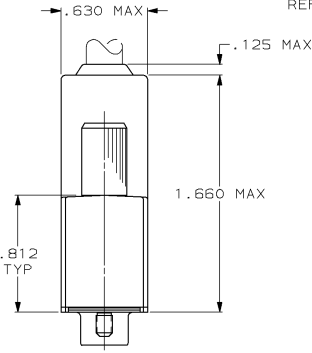
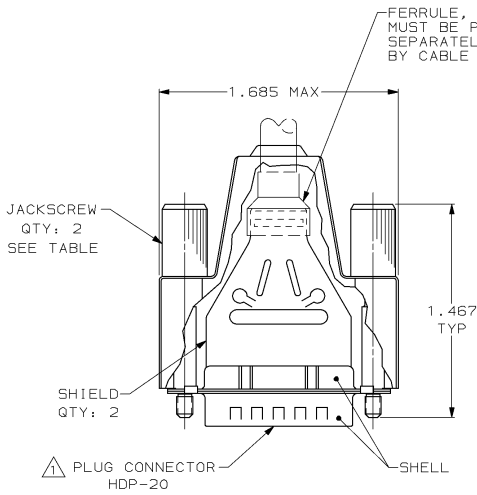
[TE Connectivity AMP Connectors](#)
[747954-1](#)

For any questions, you can email us directly:

sales@integrated-circuit.com

DRAWING MADE IN THIRD ANGLE PROJECTION
 THIS DRAWING IS UNPUBLISHED. RELEASED FOR PUBLICATION .19
 © COPYRIGHT 19 BY AMP INCORPORATED. ALL INTERNATIONAL RIGHTS RESERVED.

| LOC | DIST | P | F | ZONE | LTR | REVISIONS | DATE | APPD |
|-----|------|---|---|------|-----|---|-----------|------|
| BD | 48 | | | | M | REVISED PER ECN BD6133 | 04/02/92 | TMS |
| | | | | | N | OBS -2 & -7 PER EC 0020-1514-93 | 04/15/94 | LF |
| | | | | | P | ADDED -9 PER EC 0020-40-95 | 01/18/95 | JS |
| | | | | | R | REV PER EC 0020-373-95 | 04/25/95 | JS |
| | | | | | S | REV PER EC 0020-602-95 | 08/13/95 | JS |
| | | | | | T | OBSOLETE -3, -6, -8 PER EC 0020-724-95 | 11 MAR 96 | JCS |
| | | | | | U | OBS -9 PER EC 0420-143-96 | 10 NOV 97 | SB |



- 1. PLUG ACCEPTS SIZE 20 DF PIN CONTACTS. CONTACTS MUST BE PURCHASED SEPARATELY.
- 2. ALL PARTS SHIPPED UNASSEMBLED.
- 3. FLAME RETARDANT 94V-0 RATED, STYRENE POLYOLEFIN OR PVC, COLOR: BLACK.
- 4. FLAME RETARDANT 94V-0 RATED, GLASS FILLED NYLON OR POLYESTER, COLOR: BLACK.
- 5. STEEL PER ASTM A109.
- 6. TIN PLATING PER MIL-T-10727.
- 7. BODY: BLACK ELECTROLESS NICKEL PER QQ-N-290.
- 8. COMPONENTS INDIVIDUALLY BULK PACKED.
- 9. INDIVIDUAL KIT PACKAGING OF COMPONENTS.
- 10. ZINC ALLOY.
- 11. BODY: CARBON STEEL PER ASTM A 108. HEAD: PVC 94V-0 RATED, BLACK.
- 12. PHOS-E COATING, BLACK.

| OBSOLETE | CABLE SIZE | PACKAGING | ENCLOSURE WITH MOUNTING HOLES | JACKSCREWS | JACKSCREWS FINISH | JACKSCREWS MATERIAL | WITH LOGO | PART NO |
|----------|---------------|-----------|-------------------------------|------------|-------------------|---------------------|-----------|----------|
| | .190-.375 DIA | YES | 4-40 UNC-2A | 12 | 7 | 11 | YES | 747954-9 |
| | .250-.425 DIA | YES | #4-40 | 12 | 10 | 10 | YES | 747954-8 |
| | .190-.375 DIA | YES | - | - | - | - | NO | 747954-7 |
| | .190-.375 DIA | YES | M2.6X0.45 | 12 | 12 | 10 | YES | 747954-6 |
| | .190-.375 DIA | YES | #4-40 | 12 | 12 | 10 | YES | 747954-5 |
| | .190-.375 DIA | NO | - | - | - | - | NO | 747954-4 |
| | .190-.375 DIA | NO | - | - | - | - | YES | 747954-3 |
| | .190-.375 DIA | YES | #4-40 | 12 | 12 | 10 | NO | 747954-2 |
| | .190-.375 DIA | YES | #4-40 | 12 | 12 | 10 | YES | 747954-1 |

| CABLE SIZE | PACKAGING | ENCLOSURE WITH MOUNTING HOLES | JACKSCREWS | JACKSCREWS FINISH | JACKSCREWS MATERIAL | WITH LOGO | PART NO |
|---|-----------|-------------------------------|---|-------------------|--|------------|--------------|
| DO NOT SCALE PRINT. UNLESS SPECIFIED DIMENSIONS IN INCHES TOLERANCES ON + | | DR 3-28-89 C. RICHARD | AMP INCORPORATED Harrisburg, Pa. 17105 | | SHIELDING ENCLOSURE KIT, UNASSEMBLED, PLUG, SIZE 2, 15 POSITION, AMPLIMITE® HDP-20 | | |
| 2 PLC DEC ± | | CHK 3-28-89 R. STONE | NAME | | | | |
| 3 PLC DEC ± .020 | | APPD 3-29-89 R. WHINE | PRODUCT SPEC | | 108-40030 | | |
| ANGLES ± | | APPD 3-29-89 J. SHOWERS | APPLICATION SPEC | | 108-40009 | | |
| MATERIAL | | FINISH | | SIZE | FSCM NO | DRAWING NO | |
| INSERTS: 4, 3 | | SHELLS & SHIELDS: 5 | | C | 00779 | 747954 | |
| ENCLOSURE: 4, 3 | | JACKSCREWS: SEE TABLE | | SCALE | 2:1 | | SHEET 1 OF 1 |
| SHELLS & SHIELDS: 5 | | JACKSCREWS: SEE TABLE | | | | | |