

Excellent Integrated System Limited

Stocking Distributor

Click to view price, real time Inventory, Delivery & Lifecycle Information:

[TE Connectivity AMP Connectors](#)
[745404-1](#)

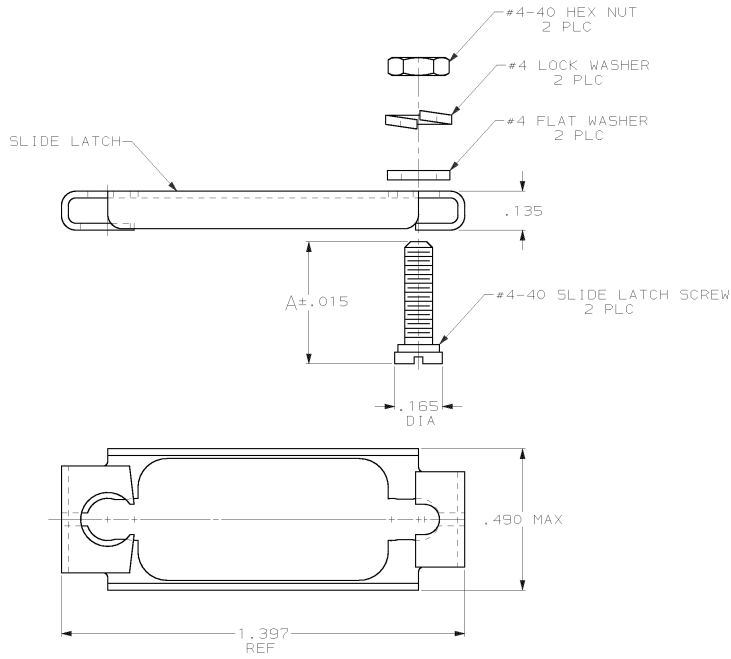
For any questions, you can email us directly:

sales@integrated-circuit.com

DRAWING MADE IN THIRD ANGLE PROJECTION

THIS DRAWING IS UNPUBLISHED. RELEASED FOR PUBLICATION .19
 © COPYRIGHT 19 BY AMP INCORPORATED. ALL INTERNATIONAL RIGHTS RESERVED.

LRC		DISTR		P		F		ZONE		LTR		REVISIONS		DATE	APPD	
GP	00												B	REV PER 0010-0274-00	22 01 01	JR



- 1. PARTS PACKAGED UNASSEMBLED.
- ⚠ PARTS PACKAGED AS A UNIT KIT.
- ⚠ PARTS INDIVIDUALLY BULK PACKAGED & SHIPPED AS A UNIT PACKAGE.
- ⚠ THIS KIT CAN BE USED WITH CABLE CLAMP BODIES THAT DO NOT EXTEND BEYOND THE FRONT FLANGE OF THE CONNECTOR OR ON CONNECTORS WITHOUT CABLE CLAMPS.

⚠ SUPERSEDED BY 745404-1	.415	#4-40	⚠	745404-2
⚠	.415	#4-40	⚠	745404-1

DO NOT SCALE PRINT. UNLESS SPECIFIED. DIMENSIONS IN INCHES. TOLERANCES ON:	DR	CHK	APPD	NAME		
2 PLC DEC ±	-	-	-	AMP INCORPORATED Morrisburg, Pa. 17105		
3 PLC DEC ± .005	-	-	-			
ANGLES # -	-	-	-			
MATERIAL	PRODUCT SPEC	APPLICATION SPEC	SIZE	FSCM NO	DRAWING NO	
SLIDE LATCH, STAINLESS STEEL	SLIDE LATCH, STAINLESS STEEL		C	00779	745404	
HARDWARE, STEEL PER ASTM A108	HARDWARE, ZINC PLATED PER ASTM B633, TYPE 11, CLASS SCl, YELLOW CHROMATE		SCALE	4:1	SHEET	1 OF 1

CUSTOMER DRAWING