

## **Excellent Integrated System Limited**

Stocking Distributor

Click to view price, real time Inventory, Delivery & Lifecycle Information:

[TE Connectivity AMP Connectors](#)  
[745833-9](#)

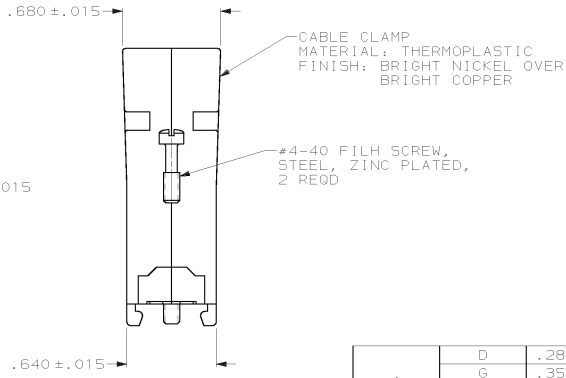
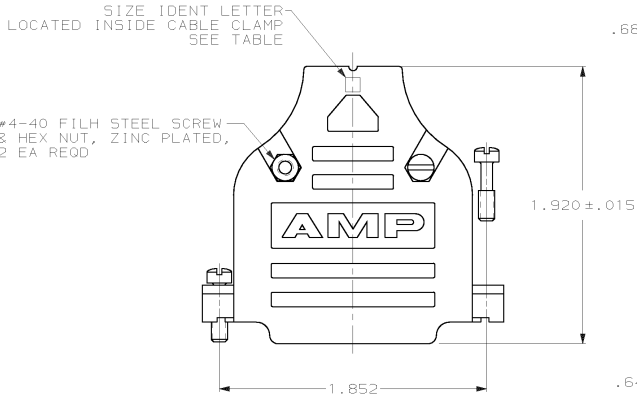
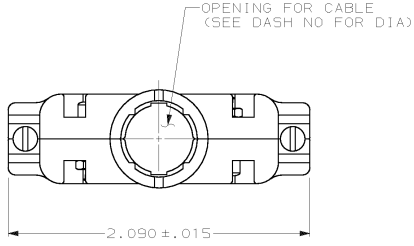
For any questions, you can email us directly:

[sales@integrated-circuit.com](mailto:sales@integrated-circuit.com)

4  
 DRAWING MADE IN THIRD ANGLE PROJECTION

THIS DRAWING IS UNPUBLISHED. RELEASED FOR PUBLICATION .19  
 © COPYRIGHT 19 BY AMP INCORPORATED. ALL INTERNATIONAL RIGHTS RESERVED.

LDC		DST		REV		REV		REVISIONS	
BD	48	P	F	ZONE	LTR	DESCRIPTION	DATE	APPD	
				A		REDRAWN	7-90	-	
				B		REVISED PER ECN 805388	11/27/91	RM	
				C		REVISED PER EC 0020-1344-93	11/03/93	SB	



- ⚠ ALL PARTS PACKAGED UNASSEMBLED.
- ⚠ AS SHOWN ABOVE, THIS KIT CONSISTS OF 2 STRAIN RELIEF HALVES, 2 #4-40 SCREWS, 2 #4-40 NUTS & 2 #4-40 MOUNTING SCREWS.
- ⚠ SAME AS SHOWN EXCEPT: EACH PART IS INDIVIDUALLY BULK PACKED FOR MULTIPLE KIT ORDERS.
- ⚠ OBSOLETE.

REMARKS	SIZE IDENT LETTER	CABLE DIA	BULK PACKED KIT NO	INDIVIDUAL KIT NO
	D	.280	1-745833-0	745833-9
	G	.350	745833-8	745833-7
	K	.430	745833-6	745833-5
	M	.480	745833-4	745833-3
	P	.530	745833-2	745833-1

DO NOT SCALE PRINT. UNLESS SPECIFIED DIMENSIONS IN INCHES TOLERANCES ON:		DR 7-25-90 J. GALLUCCI BG		AMP INCORPORATED Harrisburg, Pa. 17105	
2 PLC DEC ± .005		CHK 9-10-90 J. McCLINTON			
ANGLES * -		APPO 9-10-90 J. WESTMAN		NAME CABLE CLAMP KIT, SIZE 3, 25 POSN, 180°, AMPLIMITE™ SERIES, PLATED PLASTIC	
MATERIAL		APPO 9-11-90 J. ASSINI			
SEE CALLOUT		PRODUCT SPEC		SIZE C	
FINISH		APPLICATION SPEC		FSCM NO 00779	
SEE CALLOUT		WEIGHT		DRAWING NO 745833	
				SCALE 2:1	
				SHEET 1 OF 1	