

## Excellent Integrated System Limited

Stocking Distributor

Click to view price, real time Inventory, Delivery & Lifecycle Information:

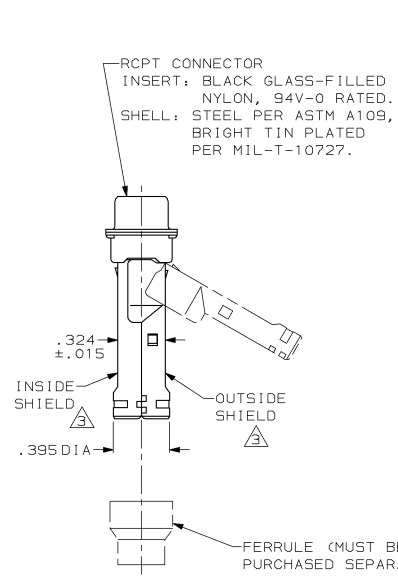
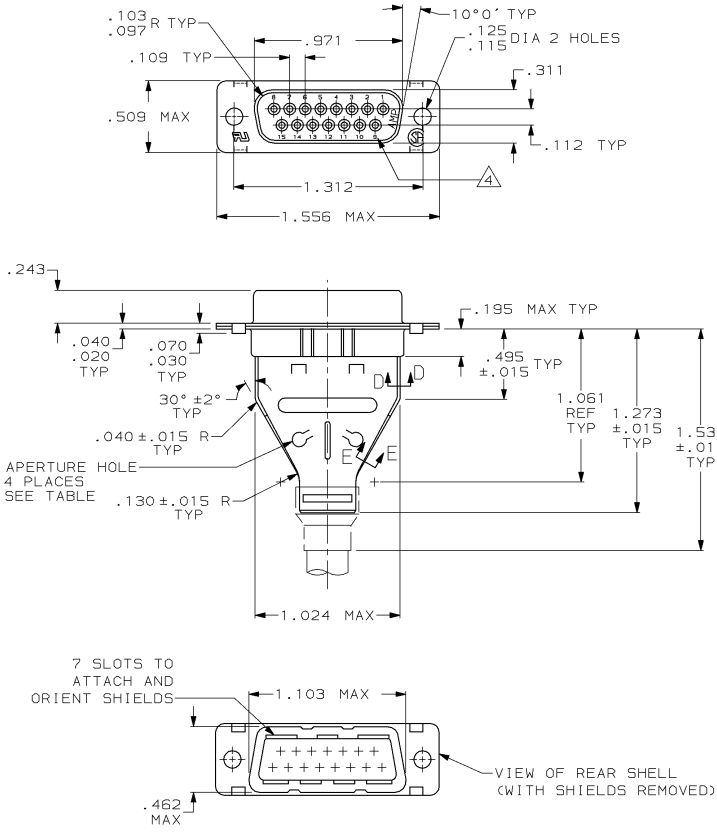
[TE Connectivity AMP Connectors](#)  
[747539-1](#)

For any questions, you can email us directly:

[sales@integrated-circuit.com](mailto:sales@integrated-circuit.com)

DRAWING MADE IN THIRD ANGLE PROJECTION  
 THIS DRAWING IS UNPUBLISHED. RELEASED FOR PUBLICATION  
 © COPYRIGHT 1988 BY AMP INCORPORATED. ALL INTERNATIONAL RIGHTS RESERVED.

LOC		DST		REV		REVISIONS	
BD	48	P	F	ZONE	LTR	DESCRIPTION	DATE
					A	REDRAWN	5-29-90
					B	REV PER ECN BD5049	7-2-91
					C	ADDED-2 NPR3889 WAS 91-5788-4-1	01/02/92
					D	OBS -2 PER ECN BD5856	01/17/92
					E	REACTIVATED -2 PER NPR 3975	02/14/92
					F	OBS -2 PER EC 0020-724-95	11 MAR 95



- ⚠ RCPT ACCEPTS SIZE 20 PIN CONTACTS (CONTACTS MUST BE ORDERED SEPARATELY).
- 2. ALL PARTS SHIPPED UNASSEMBLED, EACH PART INDIVIDUALLY BULK PACKED.
- ⚠ SHIELDS: MATERIAL-.020 THICK STEEL, TIN PLATED PER MIL-T-10727.
- ⚠ RAISED CAVITY IDENTIFICATION AND AMP TRADEMARK.

OBSOLETE	WITHOUT	747539-2
	WITH	747539-1
APERTURE HOLE		PART NUMBER

DO NOT SCALE PRINT. UNLESS SPECIFIED. DIMENSIONS IN INCHES. TOLERANCES ON:		DR 5/29/90 A. STAUB B6		AMP INCORPORATED Harrisburg, Pa. 17105  KIT, RCPT, SHIELDING HARDWARE, SIZE 2, 15 POSN, HDP-20, AMPLIMITE™	
2 PLC DEC ±		CHK J. McCLINTON 8-31-90			
3 PLC DEC ± .005		APPD B. TAYLOR 9-4-90			
ANGLES ± 0°30'		APPD J. ASSINI 9-4-90		NAME	
MATERIAL		PRODUCT SPEC		SIZE	
SEE CALL OUT		-		FSCM NO	
FINISH		APPLICATION SPEC		DRAWING NO	
SEE CALL OUT		-		00779	
WEIGHT		SCALE		SHEET	
-		2:1		1 OF 1	