

## **Excellent Integrated System Limited**

Stocking Distributor

Click to view price, real time Inventory, Delivery & Lifecycle Information:

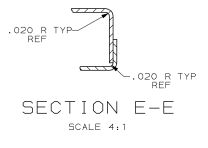
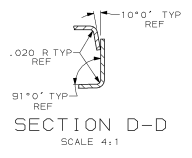
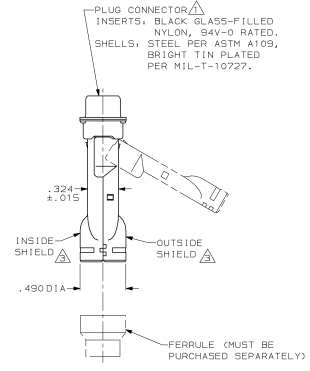
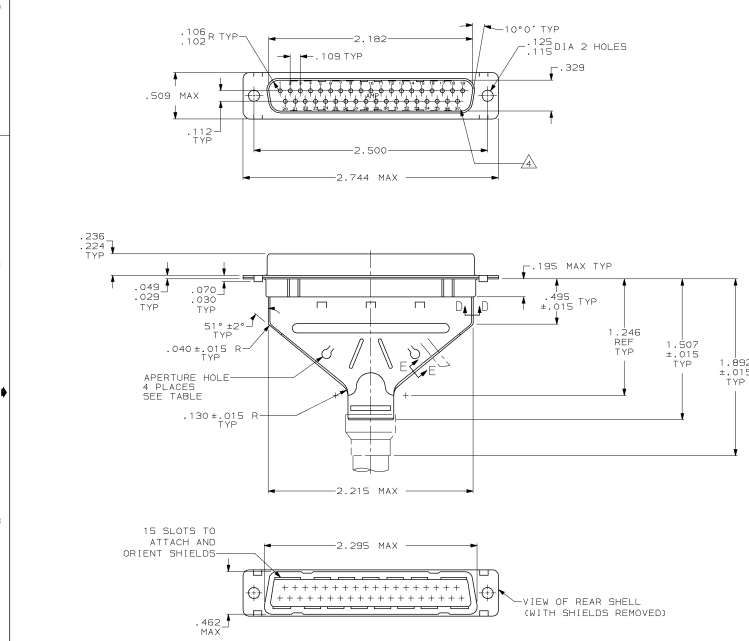
[TE Connectivity AMP Connectors](#)  
[747570-1](#)

For any questions, you can email us directly:

[sales@integrated-circuit.com](mailto:sales@integrated-circuit.com)

DRAWING MADE IN THIRD ANGLE PROJECTION  
 THIS DRAWING IS UNCONTROLLED. RELEASED FOR PUBLICATION  
 © Copyright 19 07 AMP INCORPORATED. ALL INTERNATIONAL RIGHTS RESERVED.

LOC	REV	ZONE	LIB	DESCRIPTION	DATE	APPD
BD	48					
	A			REDRAWN	8-9-88	
	B			REV PER ECN 8D4457	10-26-88	BT
	C			ADDED-2 NPR3888 WAS 91-5788-6-1	06-06-90	TMS
	D			OBS -2 PER ECN 8D5856	06-07-90	TMS
	E			REACTIVATED -2 PER NPR 3975	06-08-90	TMS
	F			OBS -2 PER EC 0620-724-95	11-06-91	JCS



- △ PLUG ACCEPTS SIZE 20 PIN CONTACTS (CONTACTS MUST BE ORDERED SEPARATELY).
- 2. ALL PARTS SHIPPED UNASSEMBLED, EACH PART INDIVIDUALLY BULK PACKED.
- △ SHIELDS: MATERIAL-.020 THICK STEEL, TIN PLATED PER MIL-T-10727.
- △ RAISED CAVITY IDENTIFICATION AND AMP TRADEMARK.

OBSELETE	WITHOUT	747570-2
	WITH	747570-1
		PART NUMBER

DO NOT SCALE PRINT. UNLESS SPECIFIED DIMENSIONS IN MILLIMETERS TOLERANCES ON: 3 PLG DEC ± .015 3 PLG DEC ± .026 ANGLES ± 0°30'	OR 5-31-90 J BALOGUET 80 CHK 8-31-90 J MCCLINTON APPD 8-14-93 BOB TAYLOR PRODCT SPEC	NAME KIT, PLUG, SHIELDING HARDWARE, SIZE 4, 37 POSN, HDP-20, AMPLIMITE™
SEE CALL OUT △	FINISH SEE CALL OUT △	SIZE <b>D</b> 00779
	APPLICATION SPEC -	SCALE 2:1
	WEIGHT -	DRAWING NO 747570
		SHEET 1 OF 1

CUSTOMER DRAWING