

Excellent Integrated System Limited

Stocking Distributor

Click to view price, real time Inventory, Delivery & Lifecycle Information:

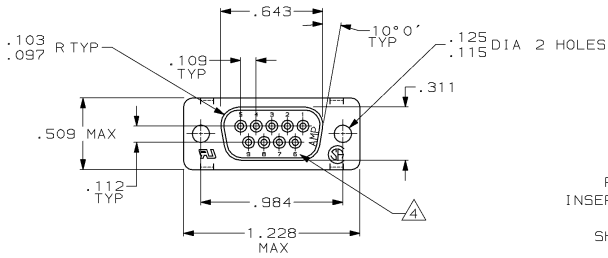
[TE Connectivity AMP Connectors](#)
[747523-1](#)

For any questions, you can email us directly:

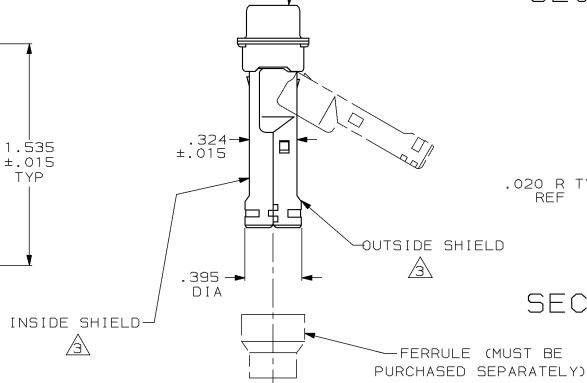
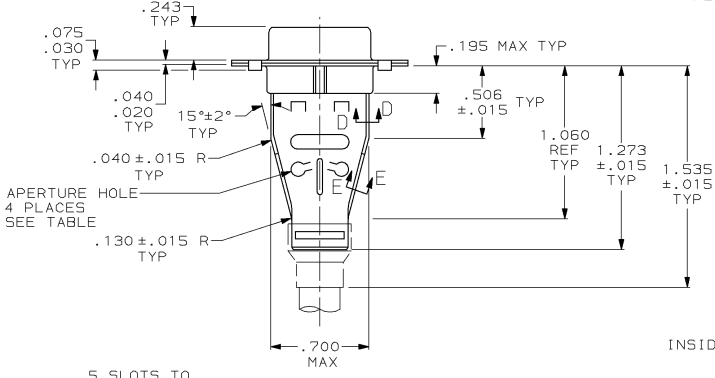
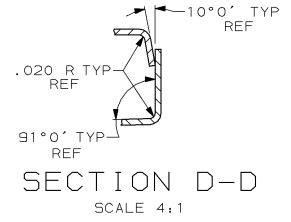
sales@integrated-circuit.com

DRAWING MADE IN THIRD ANGLE PROJECTION
 THIS DRAWING IS UNPUBLISHED. RELEASED FOR PUBLICATION
 © COPYRIGHT 19 BY AMP INCORPORATED. ALL INTERNATIONAL RIGHTS RESERVED.

REVISONS		DATE	APPD
	A	5-23-90	
	B	7-2-91	TMS
	C	01/02/92	TMS
	D	01/17/92	TMS
	E	02/14/92	TMS
	F	06/03/92	TBS
	G	08 MAR 95	JCS



RECEPTACLE CONNECTOR
 INSERT: BLACK GLASS FILLED NYLON
 94 V-O RATED
 SHELL: STEEL PER ASTM A109
 BRIGHT TIN PLATED
 PER MIL-T-10727



OBSOLETE	-	
OBSOLETE	WITHOUT	747523-2
	WITH	747523-1
	APERTURE HOLE	PART NUMBER

- RECEPTACLE ACCEPTS SIZE 20 SOCKET CONTACTS (CONTACTS ORDERED SEPARATELY)
- ALL PARTS SHIPPED UNASSEMBLED, EACH PART INDIVIDUALLY BULK PACKED.
- SHIELDS: MATERIAL-.020 THICK STEEL, TIN PLATED PER MIL-T-107207.
- RAISED CAVITY IDENTIFICATION AND AMP TRADEMARK.
- SEE RESTRICTED CUSTOMER DRAWING 747523-3.

DO NOT SCALE PRINT. UNLESS SPECIFIED DIMENSIONS IN INCHES TOLERANCES ON:	DR 5/23/90 A. STAUB B6	AMP INCORPORATED Harrisburg, Pa. 17105 KIT, RCPT, SHIELDING HARDWARE, SIZE 1, 9 POSN, HDP-20, AMPLIMITE™	
2 PLC DEC ± .005	CHK J. McCLINTON 8-31-90		
ANGLES ± 0°30'	APPD B. TAYLOR 9-4-90		
MATERIAL	APPD J. ASSINI 9-4-90	NAME	
SEE CALL OUT	PRODUCT SPEC		
FINISH	APPLICATION SPEC	SIZE	FSCM NO
SEE CALL OUT		C	00779
	WEIGHT	SCALE	DRAWING NO
		2:1	747523
			SHEET 1 OF 1

CUSTOMER DRAWING