

## **Excellent Integrated System Limited**

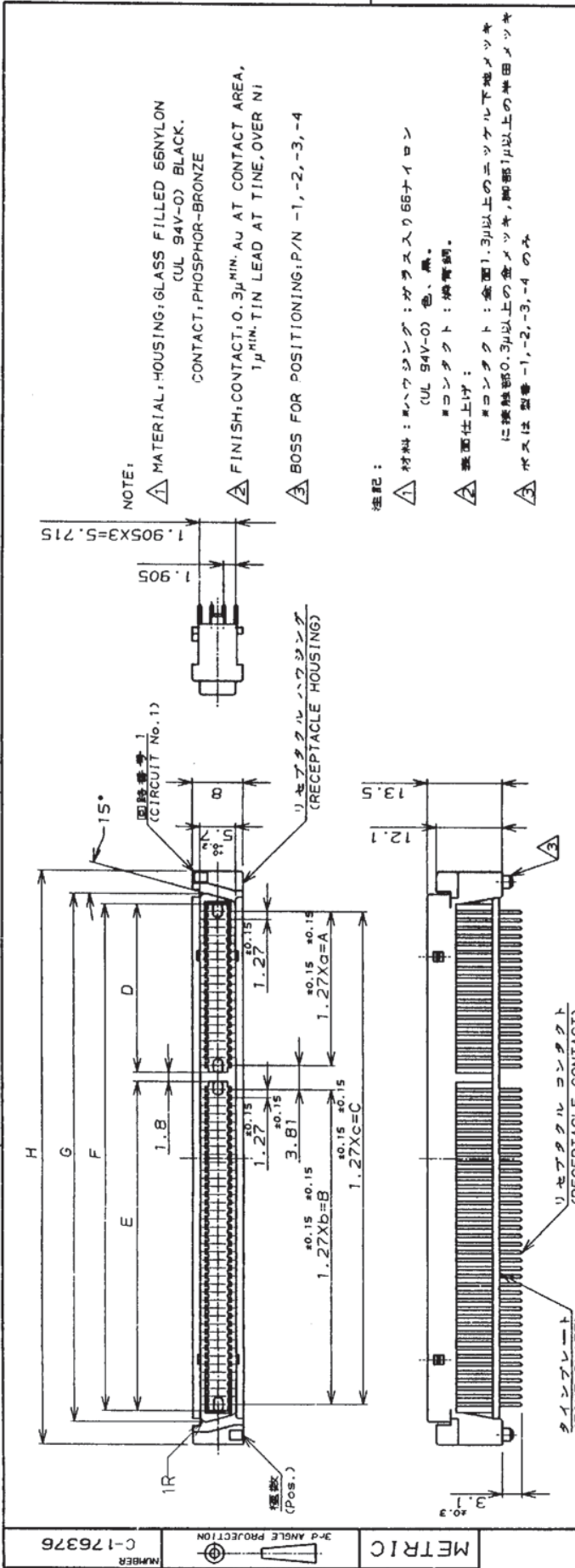
Stocking Distributor

Click to view price, real time Inventory, Delivery & Lifecycle Information:

[TE Connectivity AMP Connectors](#)  
[176376-4](#)

For any questions, you can email us directly:

[sales@integrated-circuit.com](mailto:sales@integrated-circuit.com)



NOTE:

- △ MATERIAL, HOUSING: GLASS FILLED 66NYLON (UL 94V-0) BLACK. CONTACT, PHOSPHOR-BRONZE
- △ FINISH: CONTACT, 0.3μm AU AT CONTACT AREA, 1μm MIN. TIN LEAD AT TINE, OVER NI
- △ BOSS FOR POSITIONING: P/N -1, -2, -3, -4

注記:

- △ 材料: ハウジング: ガラス入り66ナイロン (UL 94V-0) 色、黒。 ※コンタクト: 燐青銅。
- △ 表面仕上げ: ※コンタクト: 全面1.3μm以上のニッケル下地メッキに接触部0.3μm以上の金メッキ, 脚部1μm以上の純田メッキ
- △ ボスは型番-1,-2,-3,-4のみ

Pos.	Q	A	b	B	C	D	E	F	G	H	J	P/N
180	39	49.53	49	62.23	115.57	51.53	64.23	117.57	20.66	28.19	25.54	-8
160	29	36.83	49	62.23	102.87	38.83	64.23	104.87	15.49	12.84		-7
140	29	36.83	39	48.53	90.17	38.83	51.53	92.17	95.26	102.79	100.14	-6
120	19	24.13	39	48.53	77.47	26.13	51.53	78.47	82.56	90.09	87.44	-5
100	-	-	-	-	49	62.23	-	64.23	67.32	74.85	72.2	-4
80	-	-	-	-	39	48.53	-	51.53	54.62	62.15	59.5	-3
60	-	-	-	-	29	36.83	-	38.83	41.92	49.45	46.8	-2
40	-	-	-	-	19	24.13	-	26.13	29.22	36.75	34.1	176376-1

MTR RANGE		INSULATION DIA		NAME	
AMP (ANG - )		FINISH		AMP FH リセクタクル コネクタ (縦置き型)	
MATERIAL		MATERIAL		AMP FH CONNECTOR RECEPTACLE (VERTICAL)	
DR. S. ISHIKAWA		DR. S. ISHIKAWA		GENERAL TOLERANCE	
CHK. Y. FUJURA		CHK. Y. FUJURA		SIZE LOC NUMBER	
REV. 1		REV. 1		A3 J C-176376	
LTR		LTR		SCALE	
REVISION RECORD		REVISION RECORD		NOT SCALE	
DR		DR		REV. A	
DATE		DATE		SHEET	
1/1		1/1		1 OF 1	

AMP (JAPAN) LTD. Tokyo, Japan

AMP J REV.10/93

PRINT 0151

DIMENSIONS IN MILLIMETERS. DO NOT SCALE PRINT

METRIC

3rd ANGLE PROJECTION

NUMBER C-176376

CUSTOMER DRAWING