

Excellent Integrated System Limited

Stocking Distributor

Click to view price, real time Inventory, Delivery & Lifecycle Information:

[TE Connectivity AMP Connectors](#)
[177985-5](#)

For any questions, you can email us directly:

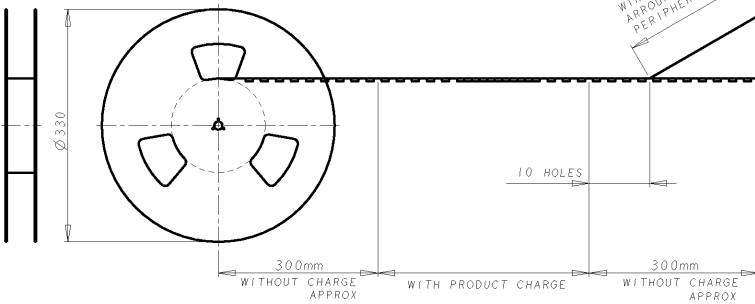
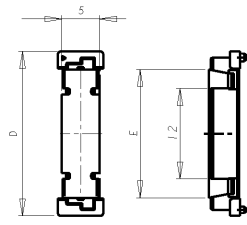
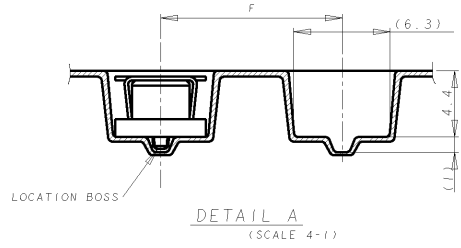
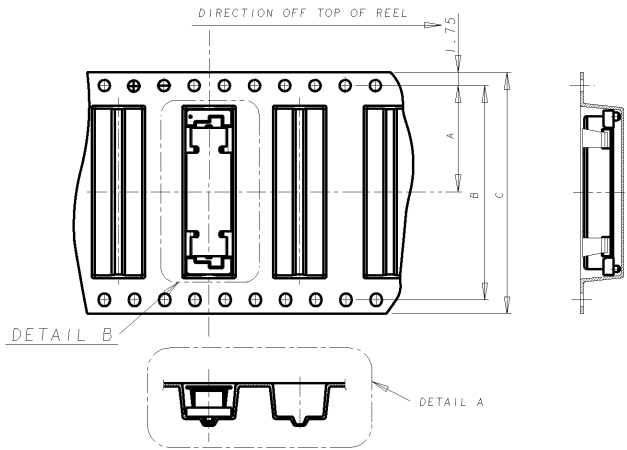
sales@integrated-circuit.com

NUMBER
177985

METRIC

CONFIDENTIAL INFORMATION

PRINT DIST



NOT AVAILABLE												
	↑	↑	↑	↑	↑	↑	↑	↑	↑	↑	↑	↑
				86.1	104	100.4	50.2	200	1-	-0	1-	-0
				70.1	86	84.4	42.2	160		-8		-8
				61.8	72	68.4	34.2	140		-6		-6
				53.8	72	68.4	34.2	120		-5		-5
700	16			45.8	72	68.4	34.2	100		-4		-4
				37.8	56	52.4	26.2	80		-3		-3
				29.8	44	40.4	20.2	60		-2		-2
1000	12	17		21.8	32	28.4	14.2	40	177983-1	177985-1		

TOOLING STATUS		QTY	F	E	D	C	B	A	POS	CONN P/N	PART NO.

Copyright ©1997 AMP MANUFACTURING (SINGAPORE) PTE. LTD. ALL RIGHTS RESERVED.

AMP AMP MANUFACTURING (SINGAPORE) PTE. LTD.

RECEPTACLE ASSEMBLY 5H TYPE (0.5 BOSS LENGTH) FOR FH 0.8 B-T-B CONN, ON TAPING.

(GENERAL TOLERANCE) SIZE LOC (No.)
 10 * < 10 : ±0.2 (SCALE) A3 DY 177985
 30 * < 100 : ±0.3
 ANGLES : ± 3'

2:1 REV. K SHEET 1 OF 1

REV	DESCRIPTION	BY	CHK	DATE
K	REVISED FP00-0227-03	LSK	ET	1700789
J	REVISED FP00-0026-99	LWY	TRN	24FEB99
H	REVISED FP00-0268-98	KML	TRN	24MAY98
G	REVISED FJ00-0172-96	T.K	I.E	16FEB96
F	REVISED FJ00-3747-95	T.K	I.E	10DEC95
LTR	(REVISION RECORD)	DR	CM	DATE

WIRE GAUGE	INSULATION PARTS	(NAME)
mm TAWG -)	mm	
(MATERIAL)	(FINISH)	
SEE TABLE	---	
DR. #FEB93	REL.	
T. KUSUHARA	T. KUSUHARA	
CHK. I. ENOMOTO	APP. Y. YOSHIMURA	

CUSTOMER DRAWING