



## **Excellent Integrated System Limited**

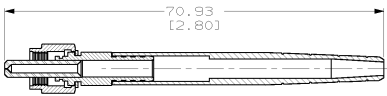
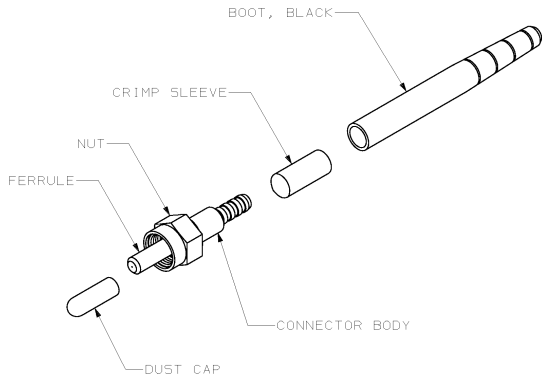
Stocking Distributor

Click to view price, real time Inventory, Delivery & Lifecycle Information:

[TE Connectivity AMP Connectors](#)  
[2-504567-5](#)

For any questions, you can email us directly:

[sales@integrated-circuit.com](mailto:sales@integrated-circuit.com)



- MATERIAL:**
- a) FERRULE-STAINLESS STEEL
  - b) CONNECTOR BODY-COPPER ALLOY
  - c) NUT-COPPER ALLOY
  - d) CRIMP SLEEVE-COPPER ALLOY
  - e) BOOT-GEON VINYL, COLOR:BLACK
  - f) DUST CAP-VINYL, COLOR:RED
- FINISH:**
- a) CONNECTOR BODY-NICKEL PLATE
  - b) NUT-NICKEL PLATE
  - c) CRIMP SLEEVE-NICKEL PLATE
- BULK PACKAGED 50 PER UNIT**
- PACKAGE MARKED WITH "EB R1860"**

LOC	REV	DATE	DESCRIPTION	DATE	ENR	APP'D
CE	16					
		J	REVISE PER 0A00-0669-02	15AUG02	KG	5B

DESCRIPTION	FIBER HOLE SIZE	PART NUMBER
STANDARD CONNECTOR KIT	720um	3-504567-9
STANDARD CONNECTOR KIT	490um	3-504567-8
STANDARD CONNECTOR KIT	250um	3-504567-7
OBSOLETE NO CRIMP SLEEVE	660um	3-504567-6
OBSOLETE NO CRIMP SLEEVE	660um	3-504567-5
OBSOLETE NO CRIMP SLEEVE NO BOOT	231um	3-504567-4
STANDARD CONNECTOR KIT	.082in	3-504567-3
STANDARD CONNECTOR KIT	.065in	3-504567-2
OBSOLETE STANDARD CONNECTOR KIT	.047in	3-504567-1
OBSOLETE STANDARD CONNECTOR KIT	.046in	3-504567-0
STANDARD CONNECTOR KIT	.042in	2-504567-9
OBSOLETE STANDARD CONNECTOR KIT	.039in	2-504567-8
OBSOLETE STANDARD CONNECTOR KIT	660um	2-504567-7
OBSOLETE STANDARD CONNECTOR KIT	641um	2-504567-6
OBSOLETE STANDARD CONNECTOR KIT	640um	2-504567-5
OBSOLETE STANDARD CONNECTOR KIT	660um	2-504567-4
OBSOLETE STANDARD CONNECTOR KIT	560um	2-504567-3
OBSOLETE STANDARD CONNECTOR KIT	470um	2-504567-2
OBSOLETE STANDARD CONNECTOR KIT	460um	2-504567-1
OBSOLETE STANDARD CONNECTOR KIT	450um	2-504567-0
OBSOLETE STANDARD CONNECTOR KIT	430um	1-504567-9
OBSOLETE STANDARD CONNECTOR KIT	410um	1-504567-8
OBSOLETE STANDARD CONNECTOR KIT	400um	1-504567-7
OBSOLETE STANDARD CONNECTOR KIT	350um	1-504567-6
OBSOLETE STANDARD CONNECTOR KIT	340um	1-504567-5
OBSOLETE STANDARD CONNECTOR KIT	336um	1-504567-4
OBSOLETE STANDARD CONNECTOR KIT	320um	1-504567-3
OBSOLETE STANDARD CONNECTOR KIT	260um	1-504567-2
OBSOLETE STANDARD CONNECTOR KIT	270um	1-504567-1
OBSOLETE STANDARD CONNECTOR KIT	267um	1-504567-0
OBSOLETE STANDARD CONNECTOR KIT	250um	504567-9
OBSOLETE STANDARD CONNECTOR KIT	240um	504567-8
OBSOLETE STANDARD CONNECTOR KIT	231um	504567-7
OBSOLETE STANDARD CONNECTOR KIT	229um	504567-6
OBSOLETE STANDARD CONNECTOR KIT	200um	504567-5
OBSOLETE STANDARD CONNECTOR KIT	170um	504567-4
OBSOLETE STANDARD CONNECTOR KIT	145um	504567-3
STANDARD CONNECTOR KIT	140um	504567-2
STANDARD CONNECTOR KIT	125um	504567-1

THIS DRAWING IS A CONTROLLED DOCUMENT.

DRAWN: J. YEAGER (1-18-91)	DATE: 1-18-91
CHKD: J. HILHEMAN (1-25-93)	DATE: 1-25-93
APP'D: J. RUCHTIED (1-25-93)	DATE: 1-25-93

**AMP** AMP Incorporated  
 Harrisburg, PA 17105-3508

CONNECTOR KIT, SMA 905  
 STAINLESS FRONT BODY, BRASS  
 REAR BODY, 4.3mm CABLE

SIZE: 00779 C-504567

CUSTOMER DRAWING SCALE: 2:1 SHEET 1 OF 1 REV J