

Excellent Integrated System Limited

Stocking Distributor

Click to view price, real time Inventory, Delivery & Lifecycle Information:

[TE Connectivity AMP Connectors](#)
[207661-3](#)

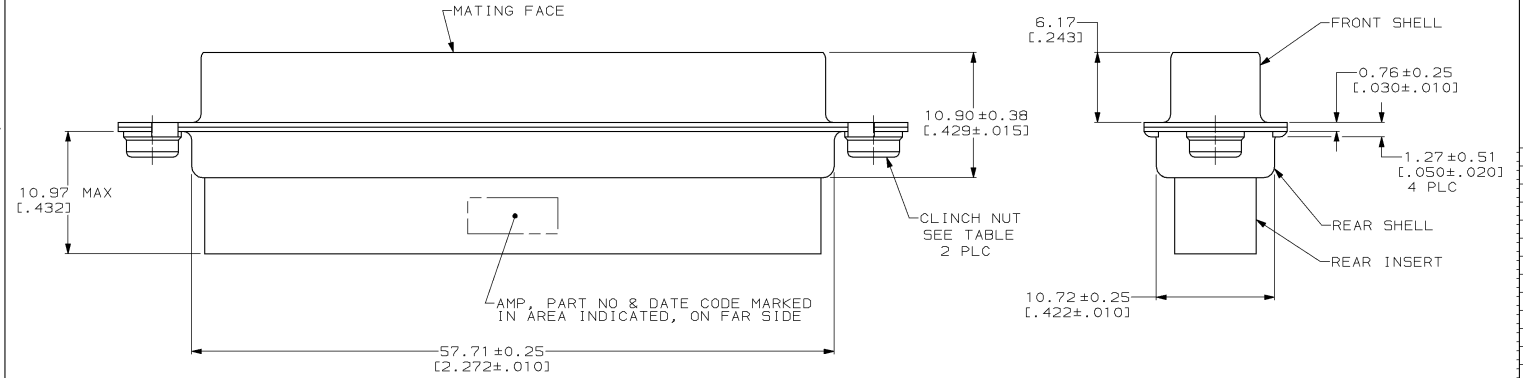
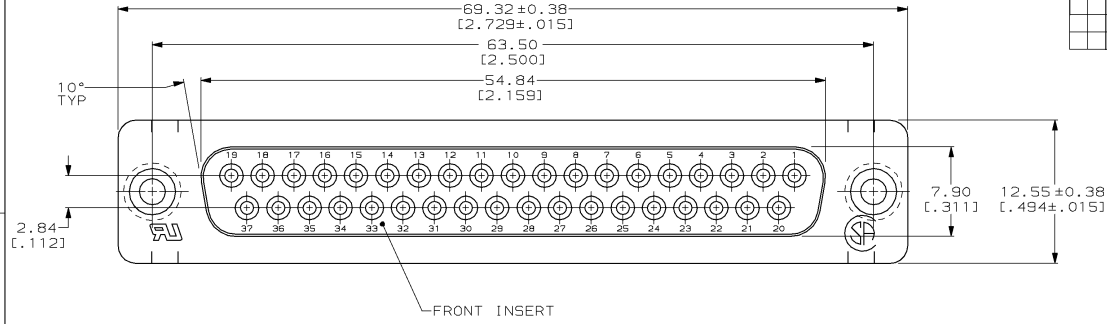
For any questions, you can email us directly:

sales@integrated-circuit.com

DRAWING MADE IN THIRD ANGLE PROJECTION

THIS DRAWING IS UNPUBLISHED. RELEASED FOR PUBLICATION .19
 © COPYRIGHT 19 BY AMP INCORPORATED. ALL INTERNATIONAL RIGHTS RESERVED.

LOC	QTY	P	F	ZONE	LTR	REVISIONS	DATE	APPD
BD	48				B	REDRAWN, ADDED -4 PER NPR 3518, REVISED PER ECN 8D5132	5-14-81	-
					C	OBS -1 PER ECN 8D6177	08/17/92	TS
					D	OBS -4 PER EC 0020-724-95	08 MAR 95	JCS



- CONNECTOR ACCEPTS SIZE 20 DF SOCKET CONTACTS, RETENTION TINES ARE AN INTEGRAL PART OF INSERT.
- NYLON OR POLYESTER, UL 94V-0 RATED, BLACK.
- CARBON STEEL PER ASTM A109.
- 5.08 μm [0.000200] MIN TIN OVER 2.54 μm [0.000100] MIN COPPER.
- .068 MAX DIA WIRE INSULATION SIZE IS RECOMMENDED FOR USE WITH THIS RECEPTACLE.
- CLEAR CHROMATE OVER ZINC.
- YELLOW CHROMATE OVER ZINC.
- 5.08 μm [0.000200] MIN ZINC, YELLOW CHROMATE.
- TIN PLATING PER MIL-T-10727; COPPER PLATING PER MIL-C-14550; ZINC PLATING PER ASTM B633, TYPE III, CLASS SCI.

OBSELETE	△	△	M-3	207661-4
OBSELETE	△	△	4-40	207661-3
OBSELETE	△	△	4-40	207661-1
SHELL FINISH	CLINCH NUT FINISH	CLINCH NUT THREAD TYPE	PART NO	
DR 5-14-91 W.G.LENKER			AMP AMP INCORPORATED Harrisburg, Pa. 17105 RECEPTACLE CONNECTOR, SIZE 4, 37 POSN, WITH CLINCH NUTS, AMPLIMITE ©HDP	
CHK 5-22-91 R.STONE				
APPD 5-22-91 M.KAPEZYNSKI				
MATERIAL	APPD 5-22-91 J.ASSINI		NAME	
MOLDED PARTS: △	PRODUCT SPEC		SIZE	CAGE CODE
CLINCH NUTS & SHELLS: △	108-40025		C	00779
FINISH △	APPLICATION SPEC		DRAWING NO	
SEE TABLE			207661	
WEIGHT			SCALE	SHEET
			4:1	1 OF 1