

Excellent Integrated System Limited

Stocking Distributor

Click to view price, real time Inventory, Delivery & Lifecycle Information:

[TE Connectivity AMP Connectors](#)
[213805-2](#)

For any questions, you can email us directly:

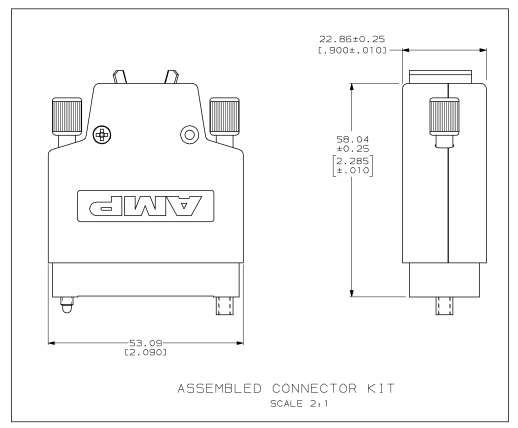
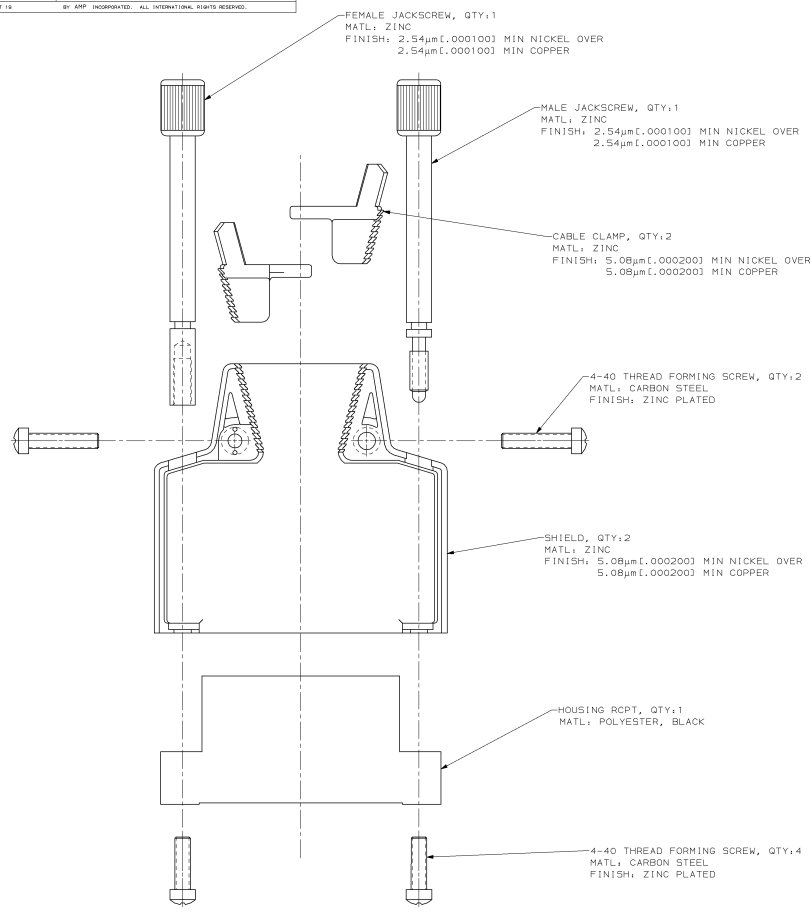
sales@integrated-circuit.com



Distributor of TE Connectivity AMP Connectors: Excellent Integrated System Limited
 Datasheet of 213805-2 - 34P RCPT KIT,M-SERIES,CC,JS

PRINTING MADE IN THIRD ANGLE PROJECTION
 THIS DRAWING IS UNCONTROLLED. RELEASED FOR PUBLICATION
 © copyright 14 BY AMP INCORPORATED. ALL INTERNATIONAL RIGHTS RESERVED.

REV. NO.		REV. DATE		DESCRIPTION		DATE	APP'D
0	0	0	0	RLSE -1 & -2 PER NPR 5125 WAS	06-18-14	TC	
1	A	1	1	REV PER EC 0020-258-95	04/21/16	TC	
2	B	2	2	ADDED -3 PER EC 002-283-96	10/04/16	MM	
3	C	3	3	REV PER EC 0320-163-96	08/01/17	MM	



10.16-15.24 (.400-.600)	213805-3
6.35-10.16 (.250-.400)	213805-2
3.81-7.62 (.150-.300)	213805-1
CABLE DIAMETER	PART NO

DO NOT SCALE PRINT. UNLESS SPECIFIED DIMENSIONS IN MM (INCHES) TOLERANCES ON: S PLD DEC ± 0.13(.005) S PLD DEC ± - ANGLES ± - MATERIAL ± -	DR 08-16-94 D. BROCKWAY CHK 10-05-94 R. STINE APPD 10-05-94 T. COULSON PRODUCT SPEC	AMP AMP Incorporated Harrisburg, PA 17105-3600
SEE CALLOUTS	NAME	CONNECTOR KIT, UNASSEMBLED, 34 POSITION, V.35 M SERIES
FINISH	APPLICATION SPEC	SIZE
SEE CALLOUTS	WEIGHT	CAGE CODE 00779
		DRAWING NO 213805
		SCALE 3:1
		SHEET 1 OF 1

08-JUN-92 11-06-95 .exc0558 /home/csr/0254/0494/dsp14023/amp05588/amp01

CUSTOMER DRAWING