

Excellent Integrated System Limited

Stocking Distributor

Click to view price, real time Inventory, Delivery & Lifecycle Information:

[TE Connectivity AMP Connectors](#)
[225699-1](#)

For any questions, you can email us directly:

sales@integrated-circuit.com

4

3

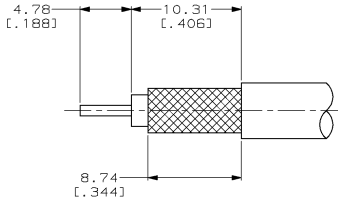
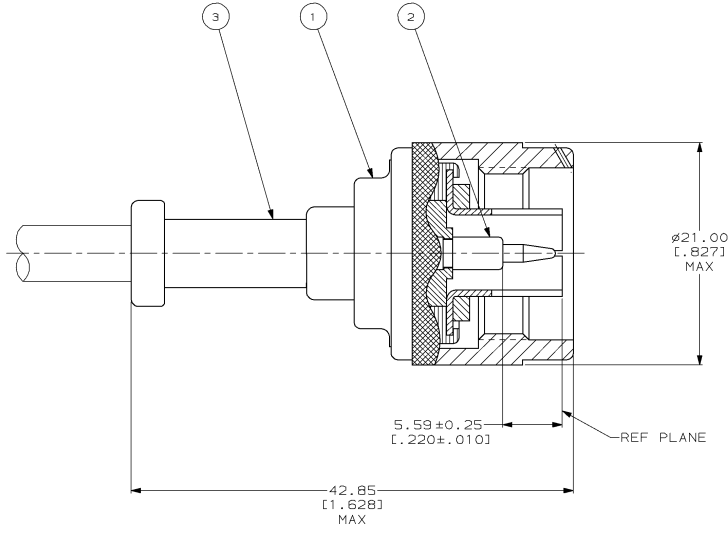
2

1

THIS DRAWING IS UNPUBLISHED. RELEASED FOR PUBLICATION BY AMP INCORPORATED. ALL RIGHTS RESERVED.

LOC	QTY	REV	DESCRIPTION	DATE	BY	APP
AJ	16	0	REDRAWN & REVISED PER 0503-0694-97	12NOV97	BM	SB

- PARTS PACKAGED UNASSEMBLED.
- FOR USE WITH RG-142/U, -142A/U, & -142B/U CABLE.
- USE HAND TOOL PART NUMBER 220045-2 TO CRIMP.
- SEE INSTRUCTION SHEET 2028-1 FOR CRIMPING INSTRUCTIONS.



RECOMMENDED STRIP LENGTHS

225560-7	225343-4	225412-3	225699-1
③ FERRULE QTY=1	② CONTACT QTY=1	① PLUG ASSY QTY=1	PART NUMBER

THIS DRAWING IS A CONTROLLED DOCUMENT.		DRN B. MOYER	250297	AMP Incorporated Harrisburg, PA 17105-3608	
DIMENSIONS: mm (INCHES)	TOLERANCES UNLESS OTHERWISE SPECIFIED:	DR S. BURKHOLDER	13NOV97	NAME PLUG, WEATHERPROOF, N SERIES	
Ø P/LC D P/LC D P/LC Ø P/LC R ANGLES	± ± ± ± ±	DR S. BURKHOLDER	13NOV97	PRODUCT SPEC APPLICATION SPEC	
MATERIAL PLAYS	-	WEIGHT	-	SIZE A2	CASE CODE 00779
CUSTOMER DRAWING			SCALE 4:1	SHEET 1 OF 1	REV A