

## Excellent Integrated System Limited

Stocking Distributor

Click to view price, real time Inventory, Delivery & Lifecycle Information:

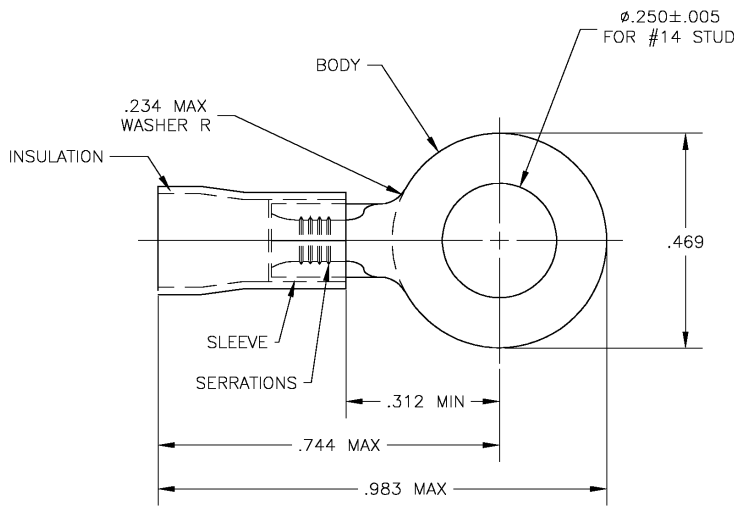
[TE Connectivity AMP Connectors  
320699](#)

For any questions, you can email us directly:

[sales@integrated-circuit.com](mailto:sales@integrated-circuit.com)

THIS DRAWING IS UNPUBLISHED. RELEASED FOR PUBLICATION  
 COPYRIGHT BY TYCO ELECTRONICS CORPORATION. ALL RIGHTS RESERVED.

LOC	DIST	REVISIONS			
P	LR	DESCRIPTION	DATE	DWN	APVD
G	14	H	REDRAWN PER 0G3A-0603-03	030CT03	JR MS



- 1 TONGUE THK IS .070±.003
- 2 BODY: COPPER PER ASTM B152  
 TIN PLATE PER ASTM B545  
 ANNEALED  
 SLEEVE: COPPER PER ASTM B152  
 TIN PLATE PER ASTM B545  
 ANNEALED  
 INSULATION: PVC, COLOR - GREEN
- 3 FOR .150 TO .200 WIRE INSULATION DIA

OBSOLETE	2 320699	1 320699-0
	PART NO ON TAPE	PART NO

THIS DRAWING IS A CONTROLLED DOCUMENT.		DWN jr_ruth 0.30CT03	Tyco Electronics Corporation Harrisburg, PA 17105	
DIMENSIONS: INCHES		CHK MJ SPICER 0.30CT03	NAME	
0 PLC ± - 1 PLC ± - 2 PLC ± - 3 PLC ± .008 4 PLC ± - ANGLES ± 5°		APVD MJ SPICER 0.30CT03	TERMINAL, PLASTI-BOND, RING TONGUE, WIRE SIZE : 20-16 H.D.	
MATERIAL	FINISH	WEIGHT	SIZE A3	CAGE CODE 00779
-	2	-	DRAWING NO 320699	
CUSTOMER DRAWING			SCALE 5:1	SHEET 1 OF 1 REV H