

## **Excellent Integrated System Limited**

Stocking Distributor

Click to view price, real time Inventory, Delivery & Lifecycle Information:

[TE Connectivity AMP Connectors  
322048](#)

For any questions, you can email us directly:

[sales@integrated-circuit.com](mailto:sales@integrated-circuit.com)



Distributor of TE Connectivity AMP Connectors: Excellent Integrated System Limited  
 Datasheet of 322048 - CONN RING 8 AWG #10 RED AMPL-BND

4

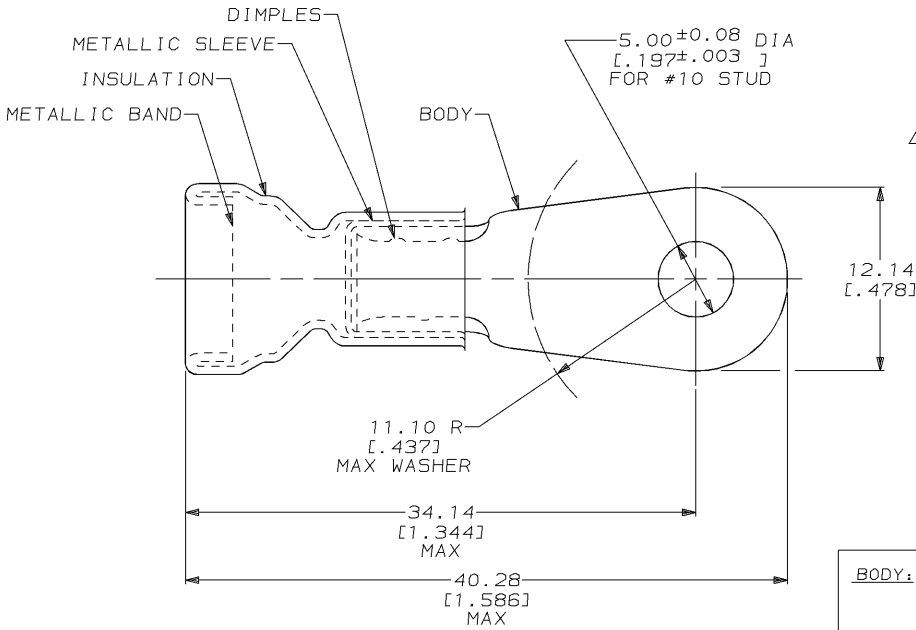
3

2

1

THIS DRAWING IS UNPUBLISHED. RELEASED FOR PUBLICATION .19 .  
 BY AMP INCORPORATED. ALL RIGHTS RESERVED.

LOC	DIST	REVISIONS				
P	LTR	DESCRIPTION	DATE	DWN	APVD	
G	14	F	REVISED & REDRAWN PER 0720-0921-96	10MAY96	DKS	DMS



- 1 MATERIAL THK: 1.02±0.08 [0.040±.003]
- 2 WIRE INSULATION DIA: 7.57[.298] MAX
- 3 TAPE MOUNTED PER 115-11001

<b>BODY:</b> COPPER PER ASTM B-152 TIN PL 0.00254[.000100] MIN THK PER MIL-T-10727	 <del>2-322048-2</del> OBSOLETE
<b>INSULATION:</b> PVC COLOR: RED <b>METALLIC SLEEVE:</b> COPPER PER ASTM B-152 <b>METALLIC BAND:</b> STEEL PER ASTM A-109	
MATERIAL & FINISH	AMP PART NUMBER

AMP INCORPORATED  
 CUSTOMER SERVICE SYSTEMS

THIS DRAWING IS A CONTROLLED DOCUMENT FOR AMP INCORPORATED. IT IS SUBJECT TO CHANGE AND THE CONTROLLING ENGINEERING ORGANIZATION SHOULD BE CONTACTED FOR THE LATEST REVISION.

FOR ADDITIONAL PRODUCT INFORMATION OR COPIES OF DRAWINGS AND TECHNICAL DOCUMENTS	PRODUCT INFORMATION CENTER 1-800-522-6752	RECOMMENDED OPERATING TEMPERATURE: 105°C MAX
FOR APPLICATION TOOLING INFORMATION	TOOLING ASSISTANCE CENTER 1-800-722-1111	VOLTAGE RATING: NOT APPLICABLE
FOR ORDER ENTRY	1-800-526-5142	WIRE CROSS SECTIONAL AREA RANGE: SOLID OR STRANDED

DIMENSIONS: mm (INCHES)	TOLERANCES UNLESS OTHERWISE SPECIFIED: 0 PLC ±- 1 PLC ±- 2 PLC ±0.20 [0.008] 3 PLC ±- 4 PLC ±- ANGLES ±-
MATERIAL SEE TABLE	FINISH SEE TABLE

DWN DK SCHRUM 10MAY96	AMP Incorporated Harrisburg, PA 17105-3608
CHK DM SWARTZ 13MAY96	NAME TERMINAL, RING TONGUE, AMPLI-BOND™, WIRE SIZE: 8 AWG
APVD JL MECKLEY 13MAY96	
PRODUCT SPEC	SIZE A3
APPLICATION SPEC	CAGE CODE 00779
WEIGHT -	DRAWING NO C-322048
CUSTOMER DRAWING	SCALE 4:1
	SHEET 1 OF 1
	REV F