

Excellent Integrated System Limited

Stocking Distributor

Click to view price, real time Inventory, Delivery & Lifecycle Information:

[TE Connectivity AMP Connectors
323974](#)

For any questions, you can email us directly:

sales@integrated-circuit.com



CATALOG NUMBER 323974

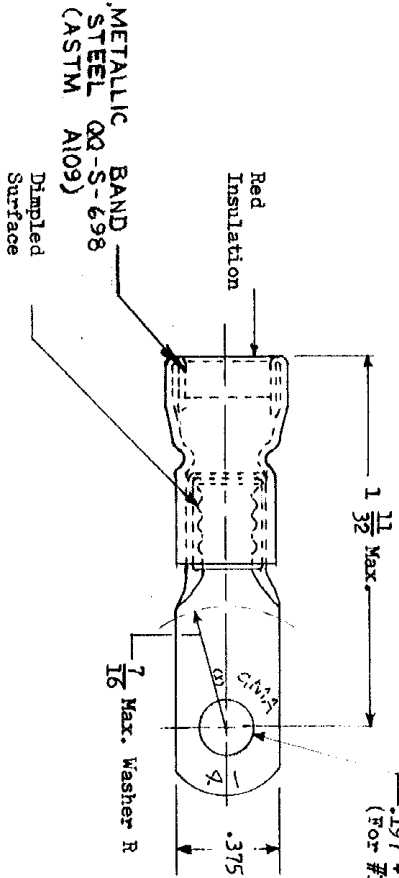
**CUSTOMER COPY
 FOR REFERENCE ONLY**

USED ON
 PART NO.
 323966

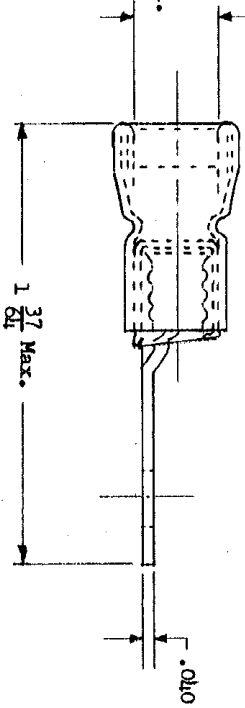
SLEEVE
 ASS'Y.
 321653

COMPLETE
 ASS'Y.
 323974

-.197 + .003 Max.
 (For #10 Stud)



For .298 Max.
 Insulation Dia.



METALLIC BAND: STEEL QQ-S-698 (ASTM A109)

MATERIAL: Copper

HEAT TREATMENT: Annealed

FINISH: Hot Electro - Tinned

COPYRIGHT IN U.S.A. 1956 BY AIRCRAFT-MARINE PRODUCTS, INC.
 COPYRIGHT UNDER INTERNATIONAL COPYRIGHT UNION. ALL RIGHTS
 RESERVED UNDER PAN-AMERICAN COPYRIGHT UNION (1910)

AIRCRAFT-MARINE PRODUCTS INC.

HARRISBURG, PA.

WIRE TERMINAL

21	22	23	24	25	26	27	28	29	30	31	32	33	34	35	36	37	38	39	40	41	42	43	44	45	46	47	48	49	50	51	52	53	54	55	56	57	58	59	60	61	62	63	64	65	66	67	68	69	70	71	72	73	74	75	76	77	78	79	80	81	82	83	84	85	86	87	88	89	90	91	92	93	94	95	96	97	98	99	100
----	----	----	----	----	----	----	----	----	----	----	----	----	----	----	----	----	----	----	----	----	----	----	----	----	----	----	----	----	----	----	----	----	----	----	----	----	----	----	----	----	----	----	----	----	----	----	----	----	----	----	----	----	----	----	----	----	----	----	----	----	----	----	----	----	----	----	----	----	----	----	----	----	----	----	----	----	----	----	-----

REV	6-4680	5-5-88	75	CLASS	RING TONGUE
REV	PBC P-8817	1979	24	TYPE	AMPL-BOND
NO.	ALTERNATION	DATE	BY	SIZE	8 (SHP 11)
DESIGNER	Gonder	5-4-58	TE	TOLERANCES- ALL DIMENSIONS ±	EXCEPT AS NOTED
CHK	J B Fessler	5-7-56	APR L R Brown	SCALE	CATALOG NUMBER
				2-3	323974