

## Excellent Integrated System Limited

Stocking Distributor

Click to view price, real time Inventory, Delivery & Lifecycle Information:

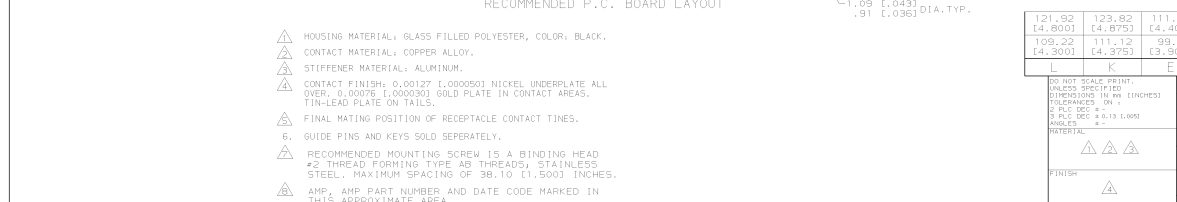
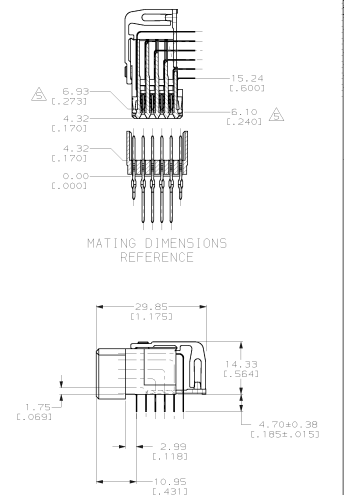
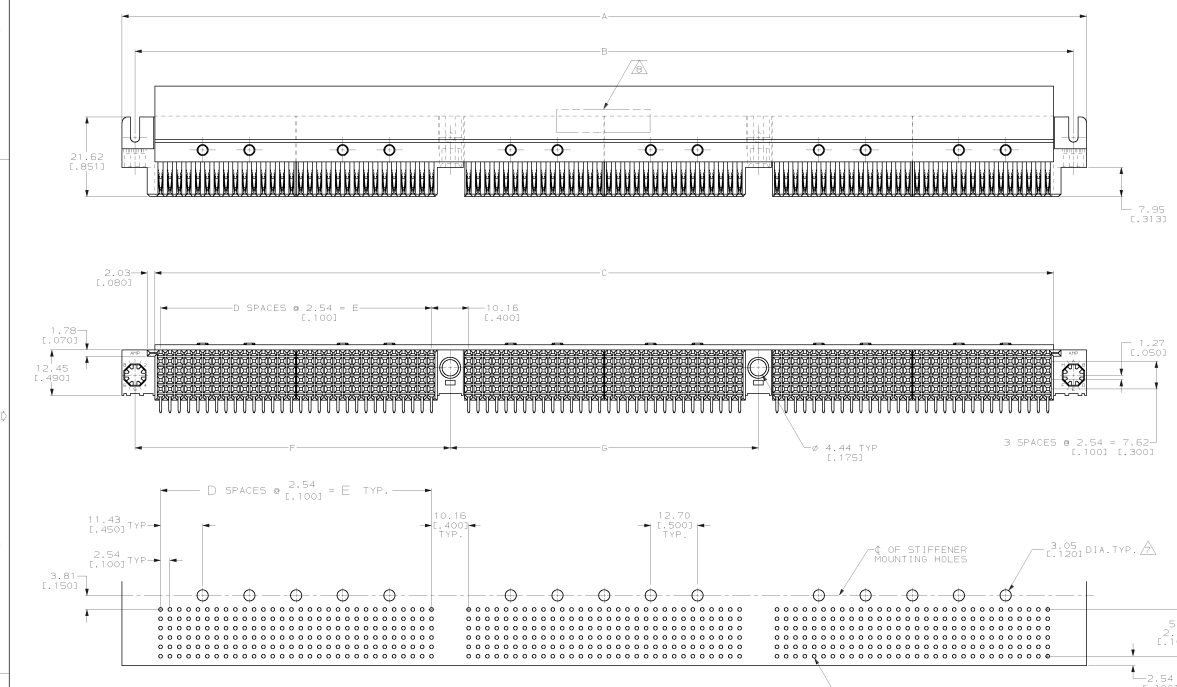
[TE Connectivity AMP Connectors](#)  
[650363-2](#)

For any questions, you can email us directly:

[sales@integrated-circuit.com](mailto:sales@integrated-circuit.com)

PRINTING MADE IN THISED ANGLE PROJECTION  
 THIS DRAWING IS UNCONTROLLED - RELEASED FOR PUBLICATION  
 COPYRIGHT 14 BY AMP INCORPORATED. ALL INTERNATIONAL RIGHTS RESERVED.

REV	DATE	DESCRIPTION	BY	CHKD	DATE	APPD
E	PER EC 0010-1534-95		T.S.	0-19-97	GS	
F	REV PER EC 0018-0015-01		20-06-01	WF		



- ▲ HOUSING MATERIAL: GLASS FILLED POLYESTER, COLOR: BLACK.
- ▲ CONTACT MATERIAL: COPPER ALLOY.
- ▲ STIFFENER MATERIAL: ALUMINUM.
- ▲ CONTACT FINISH: 0.00127 [0.00050] NICKEL UNDERPLATE ALL OVER, 0.00076 [0.00030] GOLD PLATE IN CONTACT AREAS. FIN-LEAD PLATE ON TAILS.
- ▲ FINAL MATING POSITION OF RECEPTACLE CONTACT TINES.
- 6. GUIDE PINS AND KEYS SOLD SEPARATELY.
- ▲ RECOMMENDED MOUNTING SCREW IS A BINDING HEAD #2 THREAD FORMING TYPE (AS THREADS) STAINLESS STEEL, MAXIMUM SPACING OF 38.10 [1.500] INCHES.
- ▲ AMP, AMP PART NUMBER AND DATE CODE MARKED IN THIS APPROXIMATE AREA.

L	K	E	D	C	B	A	POSN	PART NUMBER
121.92 [4.800]	123.82 [4.875]	111.76 [4.400]	44	358.75 [14.124]	369.57 [14.550]	377.19 [14.850]	810	650363-2
109.22 [4.300]	111.12 [4.375]	99.06 [3.900]	39	320.65 [12.624]	331.47 [13.050]	339.09 [13.350]	720	650363-1

DR	REV	DATE	DESCRIPTION
DR	00/29/93		3-A, SEPARATED/DTA
CHK	11/30/92		T. SHNEY
APPD	11/30/92		T. SHNEY
APPD	11/30/92		T. SHNEY
APPD	11/30/92		T. SHNEY

DO NOT SCALE PRINT.  
 UNLESS SPECIFIED DIMENSIONS IN MM (INCHES) TOLERANCES ON:  
 2 PLC DES ± 0.13 (0.005) ANGLES - -  
 REFER TO:  
 APPLICATION SPEC - -  
 FINISH - -  
 HEIGHT - -

AMP Incorporated  
 Harrisburg, PA 17105-3608

TBC PLUS MODULAR,  
 6 ROW, TWO GUIDE PINS,  
 RECEPTACLE ASSEMBLY

SIZE: 00779  
 SCALE: 2:1  
 DRAWING NO: 650363  
 SHEET: 1 OF 1