



Distributor of TE Connectivity AMP Connectors: Excellent Integrated System Limited
Datasheet of 745391-2 - D-Sub Connector Receptacle, Female Sockets 9 Position Through
Hole, Right Angle Solder

Contact us: sales@integrated-circuit.com Website: www.integrated-circuit.com

Excellent Integrated System Limited

Stocking Distributor

Click to view price, real time Inventory, Delivery & Lifecycle Information:

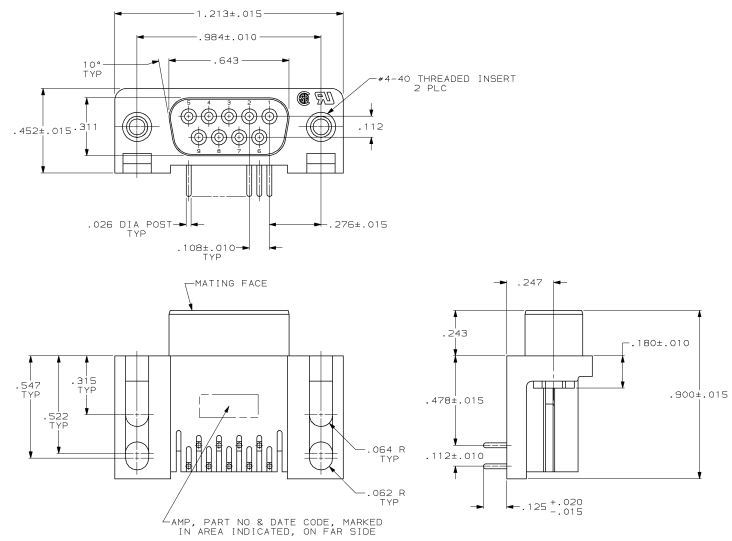
[TE Connectivity AMP Connectors](#)
[745391-2](#)

For any questions, you can email us directly:

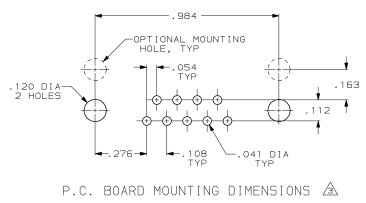
sales@integrated-circuit.com

DRAWING MADE IN THIRD ANGLE PROJECTION
 THIS DRAWING IS UNLESS OTHERWISE SPECIFIED - RELEASED FOR PUBLICATION
 © COPYRIGHT 19 BY AMP INCORPORATED, HARRISBURG, PA. ALL INTERNATIONAL RIGHTS RESERVED. AMP PRODUCTS MAY BE COVERED BY U.S. AND FOREIGN PATENTS AND/OR PATENT PENDING.

| LOC | | | | REVISONS | | | |
|-----|-----|-----|----|-------------|-------------|------|-------|
| BD | 77 | P | F | DATE | DESCRIPTION | DATE | APPRO |
| E | REV | PER | EC | 0020-983-95 | | | RT |



- △ FLAME RETARDANT, 94V-0 RATED, GLASS FILLED NYLON OR POLYESTER, COLOR, BLACK.
- △ PHOS. BRONZE PER QQ-B-750.
- △ REFER TO APPLICATION SPEC FOR RECOMMENDED P.C. BOARD MOUNTING DIMENSIONS FOR AUTOMATIC INSERTION.
- △ GOLD PLATING PER MIL-G-45204, TIN PLATING PER MIL-T-10727, NICKEL PLATING PER QQ-N-290.
- △ PLATED WITH GOLD FLASH FOR LENGTH OF .055 MIN FROM MATING END, WITH POINT OF MEASUREMENT .035 FROM MATING END OF CONTACT, .000100-.000200 TIN OR TIN-LEAD ON SOLDER END, ALL OVER .000050 NICKEL ON ENTIRE CONTACT.
- △ PLATED WITH .000030 GOLD FOR LENGTH OF .055 MIN FROM MATING END, WITH POINT OF MEASUREMENT .035 FROM MATING END OF CONTACT, .000100-.000200 TIN OR TIN-LEAD ON SOLDER END, ALL OVER .000050 NICKEL ON ENTIRE CONTACT.



| | | | | | |
|--|----------------|------|---|---|--------------|
| UNLESS OTHERWISE SPECIFIED TOLERANCES ARE IN INCHES | | OR | 9-5-87 | 745391-2 | |
| 2 PL DEC ±.005 | 3 PL DEC ±.005 | ANGL | ±.01 | FINISH | 745391-1 |
| MATERIAL: MOLDED PARTS: CONTACTS: INSERTS: ZINC | | | CHK: S-MELDON C-RICHARD APPRO: S-497 B-TAYLOR J-ASPINI PRODUCT SPEC: 108-40005 | AMP INCORPORATED HARRISBURG, PA. 17105 | |
| FINISH: CONTACTS: SEE TABLE INSERTS: CLEAR CHROMATE | | | APPLICATION SPEC: 114-40015 | SIZE: D | 00779 |
| WEIGHT: - | | | DRAWING NO: 745391 | | SHEET 1 of 1 |
| CUSTOMER DRAWING | | | | | |