

Excellent Integrated System Limited

Stocking Distributor

Click to view price, real time Inventory, Delivery & Lifecycle Information:

[TE Connectivity AMP Connectors](#)
[747025-3](#)

For any questions, you can email us directly:

sales@integrated-circuit.com

DRAWING MADE IN THIRD ANGLE PROJECTION

3

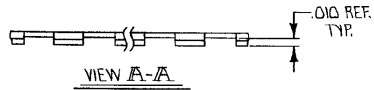
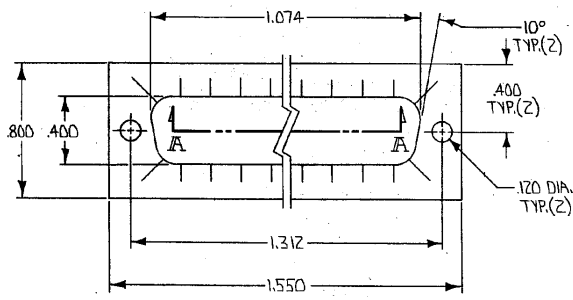
2

1 LOC BD DIST 77

© COPYRIGHT 1982 BY AMP INCORPORATED, HARRISBURG, PA.
 ALL INTERNATIONAL RIGHTS RESERVED. AMP INCORPORATED PRODUCTS
 COVERED BY U. S. AND FOREIGN PATENTS AND/OR PATENTS PENDING.

747025-3. I.A.S SHOWN

REVISIONS					
REV	ZONE	LTR	DESCRIPTION	DATE	APPROVED
0			RELEASED-WAS 5091-587	1-1-82	
1	A		REV PER EC 0420-155-96	1-21-97	RT



UNLESS OTHERWISE SPECIFIED DIMENSIONS ARE IN INCHES. TOLERANCES ON: DECIMALS ± .010 ANGLES ± 2°		CONTRACT NO	AMP AMP INCORPORATED Harrisburg, Pa.	
MATERIAL	BRASS, .006 THICK	DR	1-5-81	NAME
FINISH	BRIGHT TIN/LEAD OVER NICKEL	CHKD	11-4-82	RFI GASKET, SIZE Z, AMPLIMITE
		APPR	11-4-82	SIZE
		DSGN APPD		CODE IDENT NO
		OTHER APPD		DRAWING NO
				00779
				747025
				SCALE
				SHEET 1 OF 1

AMP 1470-15 REV B-79

CUSTOMER DRAWING