

Excellent Integrated System Limited

Stocking Distributor

Click to view price, real time Inventory, Delivery & Lifecycle Information:

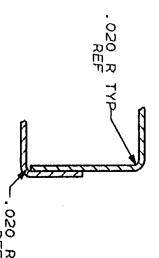
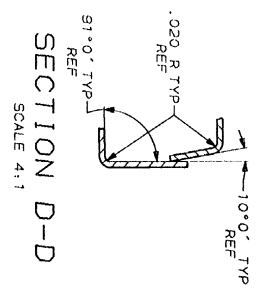
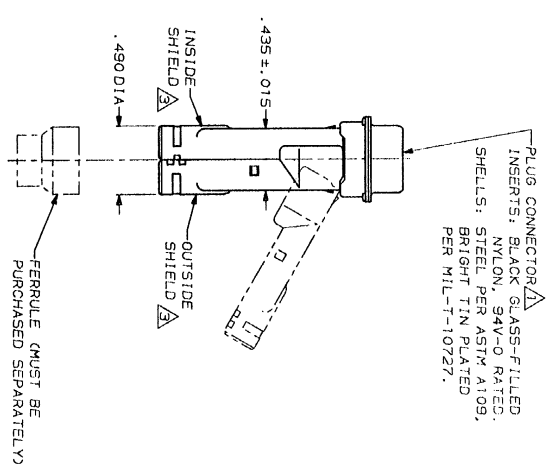
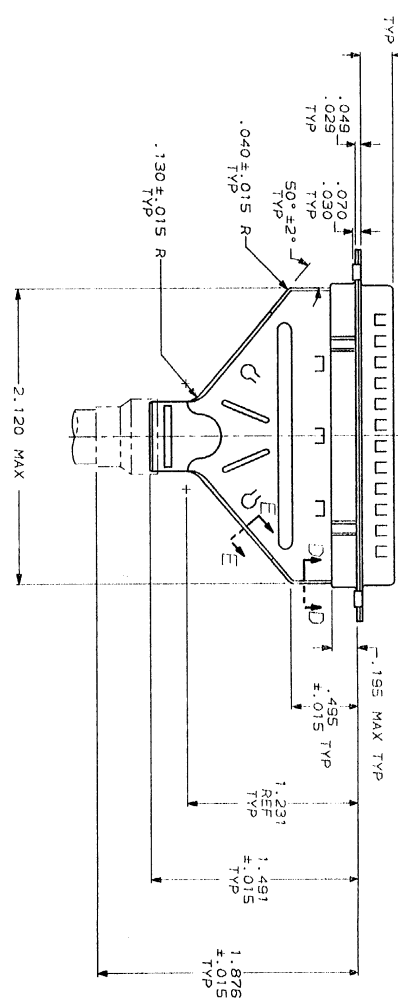
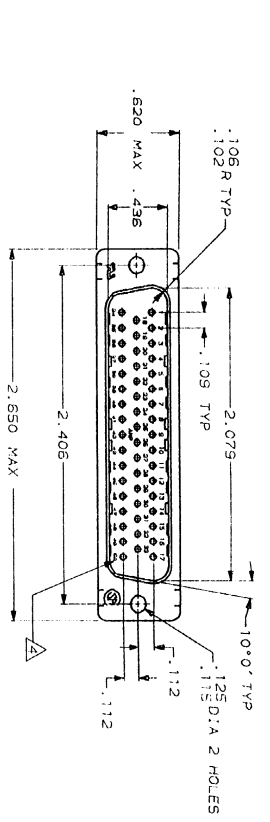
[TE Connectivity AMP Connectors](#)
[747577-1](#)

For any questions, you can email us directly:

sales@integrated-circuit.com



DRAWING MADE IN THIRD ANGLE PROJECTION. UNLESS SPECIFIED FOR COLLECTION.
 THIS DRAWING IS CONTROL DRAWING. BY AMP CORPORATION. ALL DIMENSIONS SHOWN IN MILLIMETERS.
 © COMPANY 18



- △ PLUG ACCEPTS SIZE 20 PIN CONTACTS (CONTACTS MUST BE ORDERED SEPARATELY).
- 2. ALL PARTS SHIPPED UNASSEMBLED, EACH PART INDIVIDUALLY BULK PACKED.
- △ SHIELDS: MATERIAL-.020 THICK STEEL, TIN PLATED PER MIL-T-10727.
- △ RAISED CAVITY IDENTIFICATION AND AMP TRADEMARK.
- △ SEE RESTRICTED CUSTOMER DRAWING 747577-2.

DO NOT SCALE PRINT. DIMENSIONS IN MILLIMETERS TOLERANCES ON: 3 P.C DEC ±.005 ANGLES ±.030° MATERIAL SEE CALL OUT	OR 5-1-80 (REV) 86 CHK 8-21-80 APPD 9-4-90 MATERIAL APPD 9-4-90 PRODUCT SPEC	DATE
FINISH SEE CALL OUT	APPLICATION SPEC	SIZE D 00
WEIGHT		SCALE 2:1

2	80	48	REV	DATE	BY	CHK	APP
			A				
			B				
			C				