



Distributor of TE Connectivity AMP Connectors: Excellent Integrated System Limited
Datasheet of 747827-4 - D-Sub Connector Plug, Male Pins 9 Position Through Hole, Right
Angle Solder

Contact us: sales@integrated-circuit.com Website: www.integrated-circuit.com

Excellent Integrated System Limited

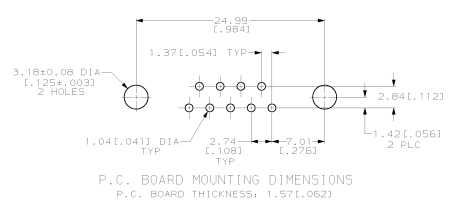
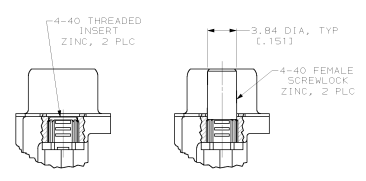
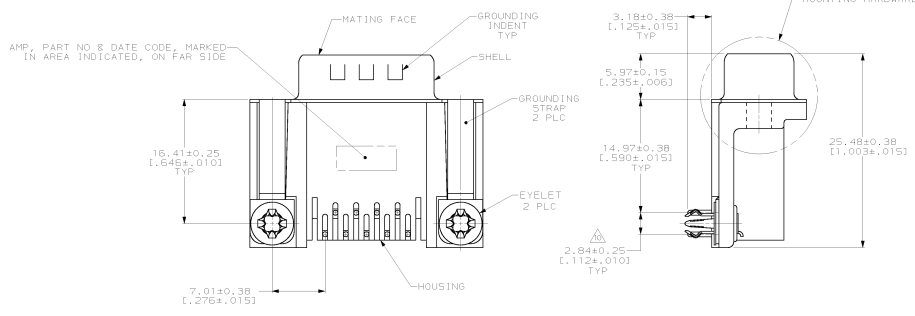
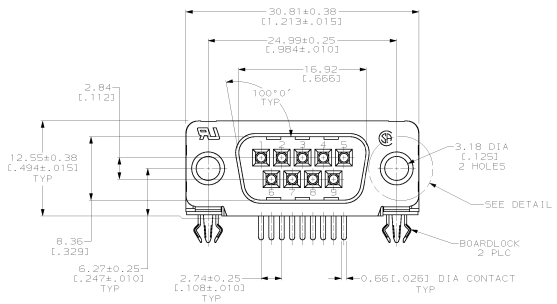
Stocking Distributor

Click to view price, real time Inventory, Delivery & Lifecycle Information:

[TE Connectivity AMP Connectors](#)
[747827-4](#)

For any questions, you can email us directly:

sales@integrated-circuit.com



- ▲ NYLON OR POLYESTER, FLAME RETARDANT, UL 94V-0 RATED, GLASS FILLED, BLACK.
- ▲ BRASS PER MIL-C-50.
- ▲ CARBON STEEL PER ASTM A109.
- ▲ EYELETS: BRASS; BOARDLOCKS: COPPER ALLOY.
- ▲ GOLD PLATING PER MIL-G-45204; NICKEL PLATING PER 00-N-290; TIN PLATING PER MIL-T-10727; COPPER PLATING PER MIL-C-14550.
- ▲ 2.54µm (1.000100) MIN TIN OVER 1.27µm (1.000500) MIN COPPER.
- ▲ EYELETS: 5.08µm (1.000200) MIN TIN OVER COPPER FLASH. BOARDLOCKS: 5.08µm (1.000200) MIN TIN-LEAD OVER 1.27µm (1.000500) MIN NICKEL.
- ▲ GOLD FLASH FOR A LENGTH OF 3.81 (1.500) MIN FROM MATING END, 2.54µm (1.000100) MIN TIN OR TIN-LEAD FOR A LENGTH OF 3.56 (1.401) MIN FROM OPPOSITE END, BOTH OVER 1.27µm (1.000500) MIN NICKEL.
- ▲ GOLD PLATED FOR A LENGTH OF 3.81 (1.500) MIN FROM MATING END, 0.76µm (1.000300) MIN GOLD IN MATED AREA, 2.54µm (1.000100) MIN TIN OR TIN-LEAD FOR A LENGTH OF 3.56 (1.401) MIN FROM OPPOSITE END, BOTH OVER 1.27µm (1.000500) MIN NICKEL.
- ▲ DIMENSION APPLIES FROM CENTER OF CONTACTS.

OBSOLETE	SEE DETAIL E	▲	747827-6
	SEE DETAIL E	▲	747827-5
SUP50 BY 747827-4	SEE DETAIL D	▲	747827-4
	SEE DETAIL D	▲	747827-3
OBSOLETE	-	▲	747827-2
OBSOLETE	-	▲	747827-1
	MOUNTING HARDWARE	CONTACT FINISH	PART NUMBER

THIS DRAWING IS A CONTROLLED DOCUMENT		REVISED BY		REVISED DATE	
DATE	BY	DATE	BY	DATE	BY
108-40025		114-40010			
AMPCON		AMP		AMP Incorporated	
114-40010		747827		Harri sburg, PA 17105-3608	
114-40010		747827		PLUS ASSEMBLY, SIZE 1, 9 POSITION, RIGHT ANGLE, FRONT METAL SHELL, 1590 SERIES, BOARDLOCKS, ANPLITE® HD-20	
114-40010		747827		SIZE: 114-40010	
114-40010		747827		DRAWN BY: A1100779	
114-40010		747827		CHECKED BY: [Signature]	
114-40010		747827		DATE: 11/11/00	
114-40010		747827		SCALE: 1:1	
114-40010		747827		SHEET: 1 OF 1	