

Excellent Integrated System Limited

Stocking Distributor

Click to view price, real time Inventory, Delivery & Lifecycle Information:

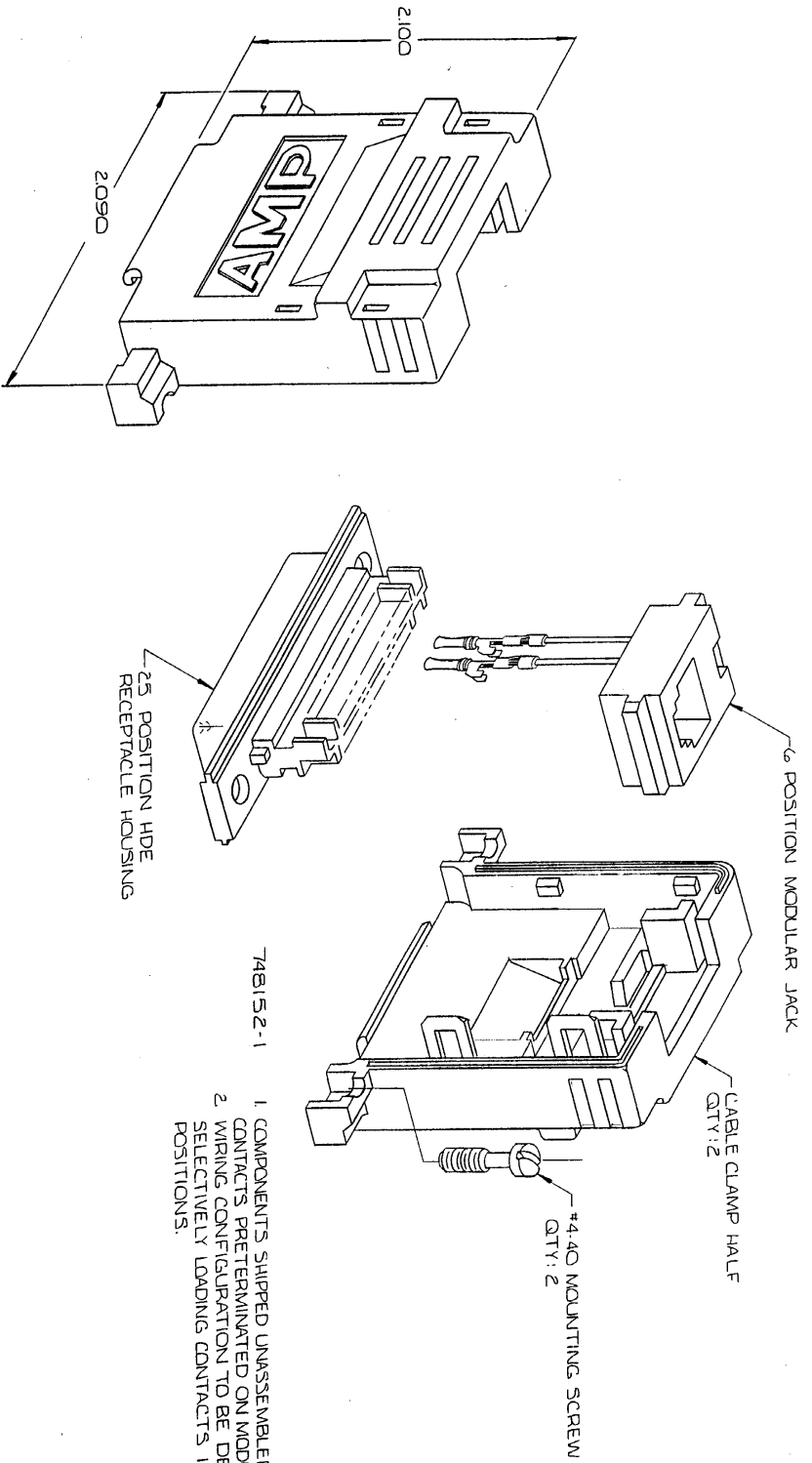
[TE Connectivity AMP Connectors](#)
[748152-1](#)

For any questions, you can email us directly:

sales@integrated-circuit.com



DRAWING MADE IN THIRD ANGLE PROJECTION
 THIS DRAWING IS UNPUBLISHED. RELEASED FOR PUBLICATION
 BY AMP INCORPORATED, HARRISBURG, PA. ALL INTERNATIONAL RIGHTS
 RESERVED. AMP PRODUCTS MAY BE COVERED BY U.S. AND FOREIGN PATENTS AND/OR PATENTS PENDING.



REVISIONS		DATE	APPROVED
0	RELEASED		
1	REV-EDA 1772	5/1/2007	[Signature]

1 COMPONENTS SHIPPED UNASSEMBLED IN KIT FORM WITH CONTACTS PRETERMINATED ON MODULAR JACK WIRES.
 2 WIRING CONFIGURATION TO BE DETERMINED BY USER, SELECTIVELY LOADING CONTACTS INTO DESIRED CIRCUIT POSITIONS.

UNLESS OTHERWISE SPECIFIED DIMENSIONS ARE IN INCHES. TOLERANCES ON: DECIMALS ±.010 ANGLES ±.010		CONTRACT NO	
MATERIAL: FLAME RETARDANT BLACK THERMOPLASTIC SCREWS: STEEL		DR: C. RICHMOND 11/11/85	
FINISH: ZINC PLATED		CHKD: [Signature] 11/22/85	
OTHER APPD		DESIGN APPD: [Signature] 11/22/85	
OTHER APPD		V. KUMAR 11/12/85	
NAME: AMP AMP INCORPORATED Harrisburg, Pa. 17105		PART NO	
RS 232 / 6 POSITION MODULAR JACK INTERFACE CONNECTOR KIT, AMPLIMITE		748152	
SIZE: FSCM NO		DRAWING NO	
C 00779		748152	
SCALE: NTS		SHEET	

AMP 1471-6 REV 2-81

CUSTOMER DRAWING

748152