

Excellent Integrated System Limited

Stocking Distributor

Click to view price, real time Inventory, Delivery & Lifecycle Information:

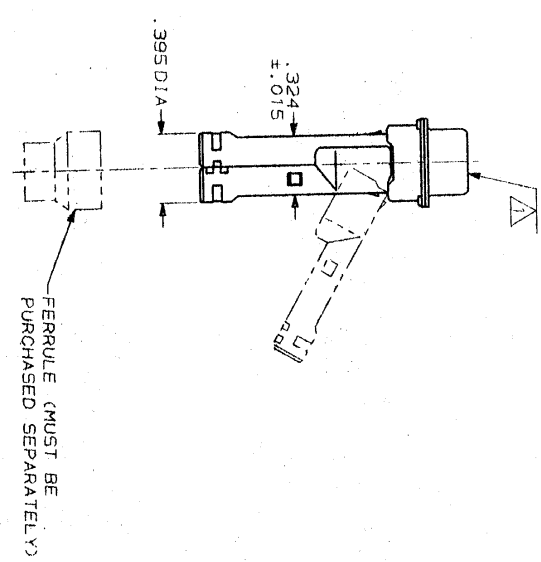
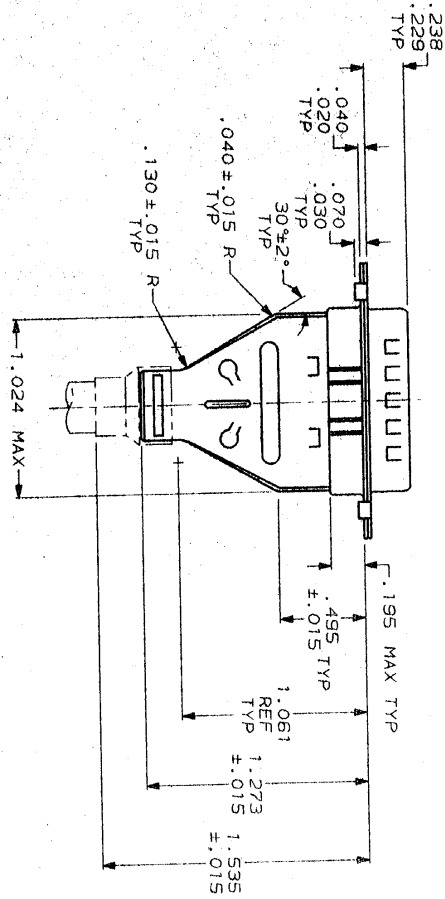
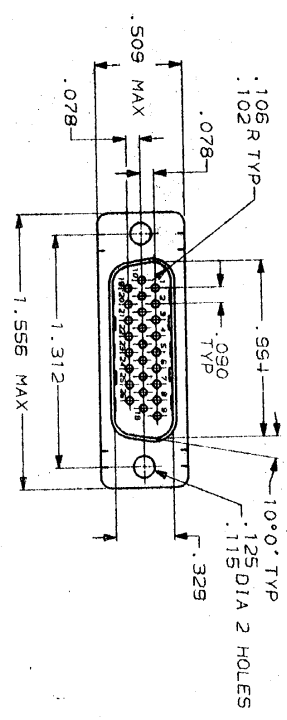
[TE Connectivity AMP Connectors](#)
[748469-1](#)

For any questions, you can email us directly:

sales@integrated-circuit.com



DRAWING MADE IN THIRD ANGLE PROJECTION
 THIS DRAWING IS UNPUBLISHED. RELEASED FOR PUBLICATION
 © COPYRIGHT 18 BY AMP INCORPORATED. ALL INTERNATIONAL RIGHTS RESERVED.



- 1. PLUG ACCEPTS SIZE 22 PIN CONTACTS (CONTACTS MUST BE ORDERED SEPARATELY).
- 2. ALL PARTS SHIPPED UNASSEMBLED, EACH PART INDIVIDUALLY BULK PACKED.
- 3. FLAME RETARDANT 94V-0 GLASS FILLED NYLON, BLACK.

REV	DATE	DESCRIPTION
2	8-2-91	REDRAWN AND REV ECN 805049

DO NOT SCALE PRINT. DIMENSIONS IN INCHES TOLERANCES: .001 2 PLC DEC ± .005 3 PLC DEC ± .005 ANGLES MATERIAL HOUSING: ▲ NYLON SHELLS: CS PER ASTM A105 SHIELDS: STEEL PER ASTM A105	DR 2-3-81 R. SHREY CHK: <i>R. Shrey</i> APPD: <i>R. Shrey</i> DATE: 8-2-91 NAME: <i>R. Shrey</i> SCALE: 2:1	AMP INCORPORATED Merrilldale, Pa. 17105
FINISH: SHELLS & SHIELDS: TIN PLATED PER MIL-T-10727	APPLICATION SPEC	AMP KIT, PLUG, SHIELDING HARDWARE, SIZE 2, 26 POSN, HDP-22, AMPLIMIT™

748469-1
PART NUMBER

CUSTOMER DRAWING

748469