

Excellent Integrated System Limited

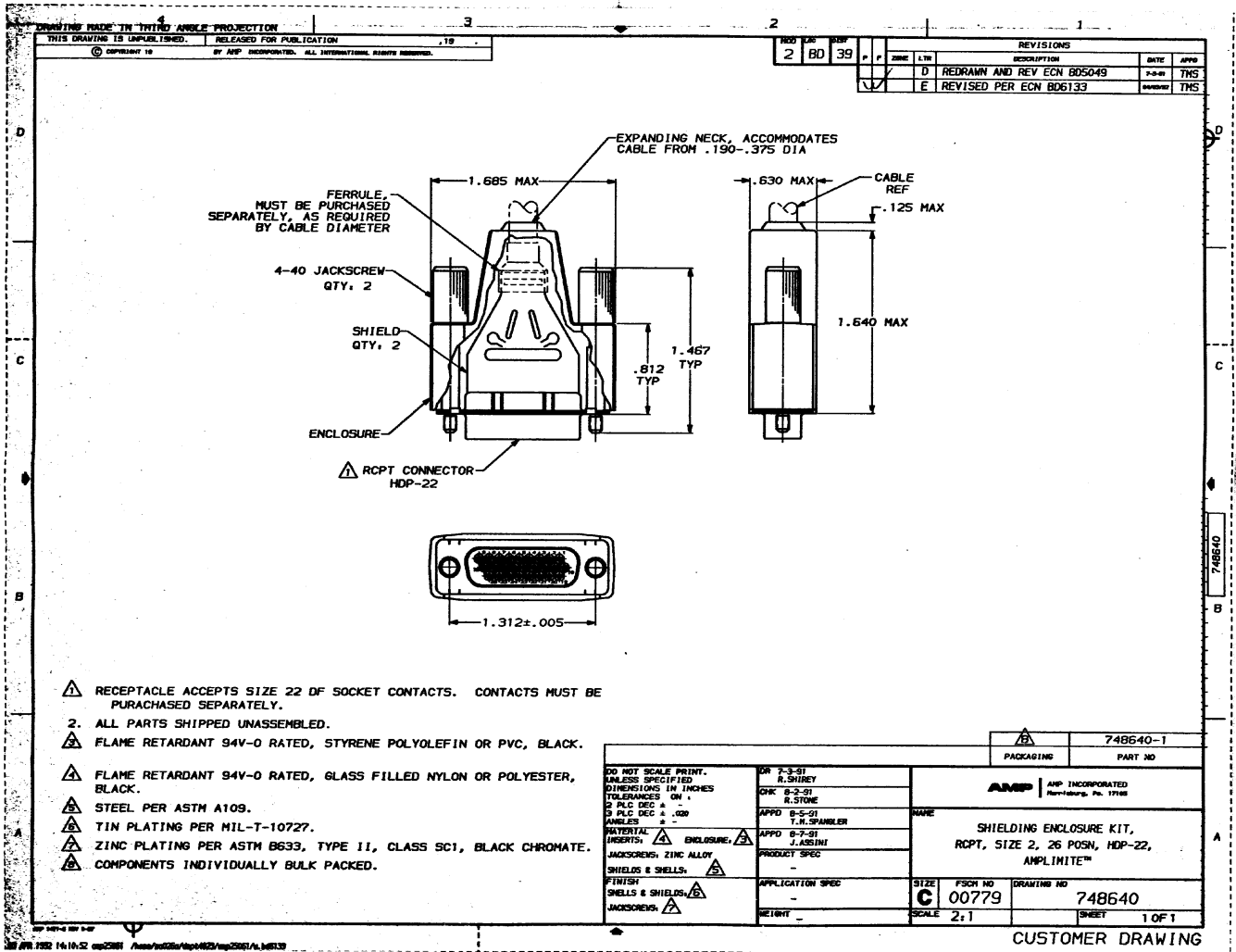
Stocking Distributor

Click to view price, real time Inventory, Delivery & Lifecycle Information:

[TE Connectivity AMP Connectors](#)
[748640-1](#)

For any questions, you can email us directly:

sales@integrated-circuit.com



- ⚠ RECEPTACLE ACCEPTS SIZE 22 DF SOCKET CONTACTS. CONTACTS MUST BE PURCHASED SEPARATELY.
- 2. ALL PARTS SHIPPED UNASSEMBLED.
- ⚠ FLAME RETARDANT 94V-0 RATED, STYRENE POLYOLEFIN OR PVC, BLACK.
- ⚠ FLAME RETARDANT 94V-0 RATED, GLASS FILLED NYLON OR POLYESTER, BLACK.
- ⚠ STEEL PER ASTM A109.
- ⚠ TIN PLATING PER MIL-T-10727.
- ⚠ ZINC PLATING PER ASTM B633, TYPE II, CLASS SC1, BLACK CHROMATE.
- ⚠ COMPONENTS INDIVIDUALLY BULK PACKED.

DO NOT SCALE PRINT. UNLESS SPECIFIED DIMENSIONS IN INCHES TOLERANCES ON +		DR 7-3-91 R. SHIREY	PACKAGING	748640-1
2 PLS DEC +		CHK 8-2-91 R. STONE	PART NO	
3 PLS DEC + .020		APPR 8-5-91 T. H. SPANGLER	AMP AMP INCORPORATED Harrisburg, Pa. 17105	
ANGLES -		APPR 8-7-91 J. ASSINI	NAME SHIELDING ENCLOSURE KIT, RCPT, SIZE 2, 26 POSN, HDP-22, AMPLITE™	
MATERIAL		PRODUCT SPEC		
ENCLOSURE		APPLICATION SPEC	SIZE	FSCH NO
ENCLOSURE			C	00779
ENCLOSURE		MEIGHT	SCALE	DRAWING NO
ENCLOSURE			2:1	748640
ENCLOSURE				SHEET 1 OF 1

CUSTOMER DRAWING