

## Excellent Integrated System Limited

Stocking Distributor

Click to view price, real time Inventory, Delivery & Lifecycle Information:

[TE Connectivity AMP Connectors](#)  
[749192-1](#)

For any questions, you can email us directly:

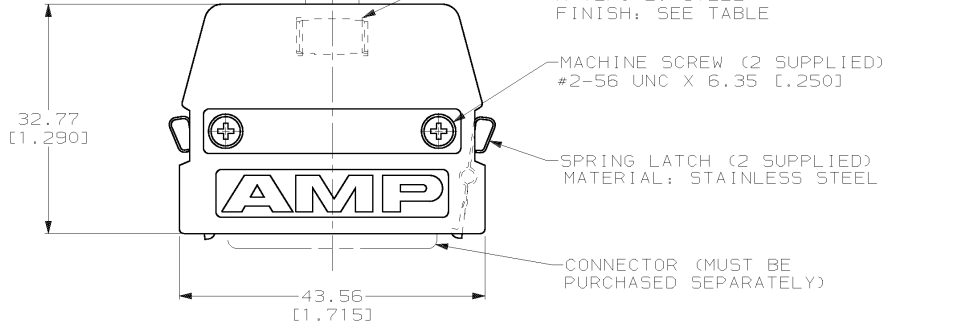
[sales@integrated-circuit.com](mailto:sales@integrated-circuit.com)

DRAWING MADE IN THIRD ANGLE PROJECTION

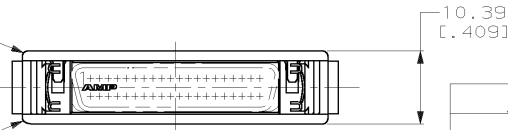
THIS DRAWING IS UNPUBLISHED. RELEASED FOR PUBLICATION .19  
© COPYRIGHT 19 BY AMP INCORPORATED. ALL INTERNATIONAL RIGHTS RESERVED.

| LOC | DIST | P | F | ZONE | LTR | DESCRIPTION                 | DATE    | APPD |
|-----|------|---|---|------|-----|-----------------------------|---------|------|
| GP  | 00   |   |   |      | H   | REVISED PER EC 0513-0160-03 | 22MAY03 | JG   |

CABLE SUPPLIED BY CUSTOMER SEE TABLE



UPPER BACKSHELL (1 SUPPLIED)  
MATERIAL: ZINC  
PLATING: NICKEL OVER COPPER



LOWER BACKSHELL (1 SUPPLIED)  
MATERIAL: ZINC  
PLATING: NICKEL OVER COPPER

- ① 8.13 [0.320] MAX CABLE DIA.
- ② 6.86 [0.270] MAX CABLE DIA.
- ③ OBSOLETE PART NUMBER.
- ④ BRIGHT TIN-LEAD OVER NICKEL.
- ⑤ BRIGHT TIN OVER NICKEL.

| ② | BULK       | ④ | 749192-3   |
|---|------------|---|------------|
| ② | BULK       | ④ | 749192-2 ③ |
| ① | INDIVIDUAL | ④ | 749192-1   |

| CABLE SIZE  | PACKAGING  | STAPLE FINISH                             | PART NO   |
|---|--|---|---|
| DO NOT SCALE PRINT.<br>UNLESS SPECIFIED<br>DIMENSIONS IN mm (INCHES)<br>TOLERANCES ON:<br>2 PLC DEC ±<br>3 PLC DEC ± 0.38 [0.015]<br>ANGLES ± | DR 12-20-88<br>N.A. McLAFFREY<br>CHK 12-20-86<br>M.E. SHIRK<br>APPD 12-20-88<br>J. BRUSCHARD<br>APPD 12-20-85<br>C.E. REYNOLDS | AMP INCORPORATED<br>Harrisburg, Pa. 17105 | NAME<br>KIT, UNASSEMBLED, 40 POSITION,<br>STRAIGHT EXIT, UNKEYED,<br>AMPLIMITE™ .050 SERIES |
| MATERIAL  | PRODUCT SPEC   | SIZE                                      | FSCN NO   |
| FINISH  | APPLICATION SPEC   | SCALE                                     | DRAWING NO  |
| WEIGHT  |  | 2:1                                       | 749192  |
|   |  |   | SHEET 1 OF 1  |