

Excellent Integrated System Limited

Stocking Distributor

Click to view price, real time Inventory, Delivery & Lifecycle Information:

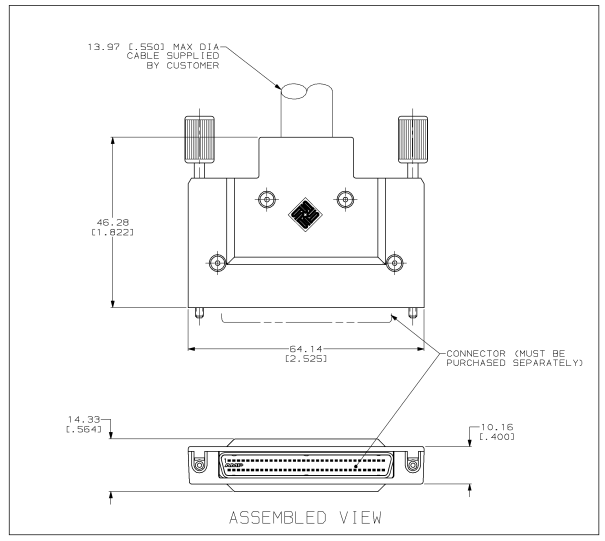
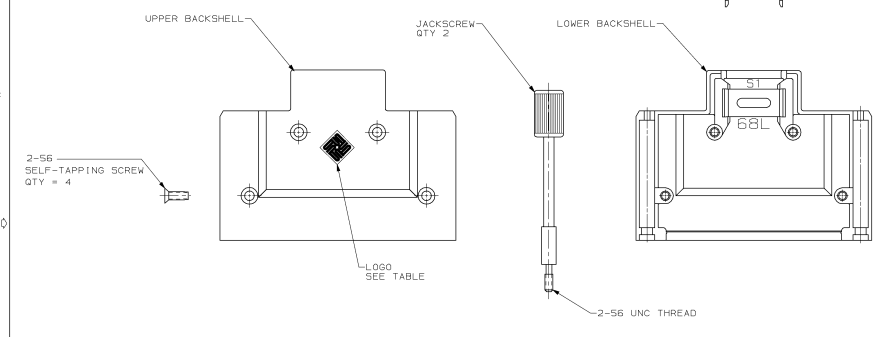
[TE Connectivity AMP Connectors](#)
[786152-3](#)

For any questions, you can email us directly:

sales@integrated-circuit.com

QUANTITY MADE IN THIRD ANGLE PROJECTION
 THIS DRAWING IS UNCONTROLLED. RELEASED FOR PUBLICATION
 © copyright 18 BY AMP INCORPORATED. ALL INTERNATIONAL RIGHTS RESERVED.

REV	DATE	DESCRIPTION	BY	CHKD
0	02-10-93	RLSE PER NPR 3346 K45 92-4621-3		
A	06-04-93	ADDED -2 PER NPR 4245		
B	10-19-93	REV PER EC 0020-1247-93		
C	06-08-94	ADDED -3 NPR 5051, K45 93-4621-8-1		
D	08-27-95	OBS -1 PER EC 0020-515-95		
E	11-09-97	OBSOLETE -2		
		PER EC 0020-481-96		



- ▲ ZINC PER ASTM B66.
- ▲ STAINLESS STEEL & PVC, BEIGE.
- ▲ CARBON STEEL PER ASTM A109.
- ▲ STAINLESS STEEL.
- ▲ 1.27µm (1.000050) MIN TIN-LEAD OVER 1.27µm (1.000050) MIN NICKEL.
- ▲ NEXTEL, BEIGE.
- ▲ STAINLESS STEEL & PVC, BLACK.

NO	LOGO	JACKSCREW	FINISH	PART NO
NO	▲	▲	-	786152-3
OBSOLETE	YES	▲	-	786152-2
OBSOLETE	YES	▲	▲	786152-1

DO NOT SCALE PRINT. UNLESS SPECIFIED DIMENSIONS IN mm (INCHES) TOLERANCES ON: 3 PLD DEC = 0.51 (1.00) 5 PLD DEC = -		DR 2-5-92 H. MELL	AMP Incorporated Harrisburg, PA 17105-3600
MATERIAL: ▲ STAPLE: ▲ SCREW: ▲ JACKSCREW: SEE TABLE		CHK 2-11-92 R. STONE APPD 2-11-92 R. BYERS PRODUCT SPEC	
FINISH	STAPLE: ▲	APPLICATION SPEC	NAME
BACKSHELLS: SEE TABLE			BACKSHELL KIT, UNASSEMBLED, 68 POSN, .050 SERIES AMPLIMITE™
			SIZE
			D 00779
			CAGE CODE
			786152
			DRAWING NO
			SCALE
			2:1
			WEIGHT
			-
			SHEET
			1 OF 1