

## Excellent Integrated System Limited

Stocking Distributor

Click to view price, real time Inventory, Delivery & Lifecycle Information:

[Precision Electronic Components Ltd](#)  
[GU1011S26](#)

For any questions, you can email us directly:

[sales@integrated-circuit.com](mailto:sales@integrated-circuit.com)



**Precision Wirewound Potentiometer - 7/8" (22mm)**



**FEATURES:**

- special resistance tolerances to 1%
- rear shaft extensions and support bearing
- non turn lug
- insulating plastic shaft
- special independent linearity to  $\pm 0.75\%$
- dual gang configuration and concentric shafts
- high torque and center tap
- special markings and front shaft extensions
- servo unit available and slipping clutch

**ELECTRICAL SPECIFICATIONS:**

**Resistance range, standard values:** 100  $\Omega$  to 100 K $\Omega$   
**Capability range:** 10  $\Omega$  to 200 K $\Omega$   
**Standard toll:**  $\pm 5\%$   
**Linearity independent:**  $\pm 0.25\%$   
**Noise:** 100  $\Omega$  ENR  
**Rotation (electrical & mechanical):** 3600° + 10%  
**Power rating @ 70°C:** 2.0 watts  
**Insulation resistance:** 1000 M $\Omega$  minimum 500 VDC  
**Dielectric strength:** 1000 VRMS minimum 60 HZ  
**Absolute minimum resistance:** not to exceed linearity x total resistance or 1 $\Omega$ , whichever is greater.  
**Tempco:** 20 ppm/°C (standard values, wire only)  
**End voltage:** 0.25% of total applied voltage, maximum  
**Phasing:** CCW end points - section 2 phased to section 1 within  $\pm 2^\circ$   
**Taps:** center tap only

**ENVIRONMENTAL SPECIFICATIONS:**

**Vibration:** 15g thru 2000Hz  
**Shock:** 50g  
**Rotational life:** 1,000,000 cycles  
**Load life:** 900 hours  
**Operating temperature range:** -55°C to  $\pm 125^\circ\text{C}$   
**Moisture resistant salt spray:** 96 hours

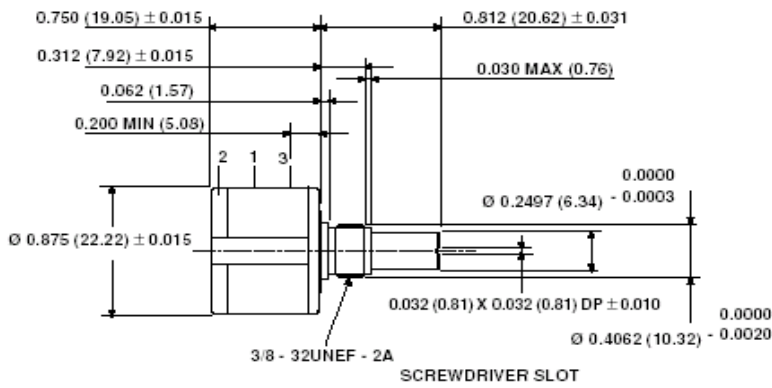
**MECHANICAL SPECIFICATIONS:**

<p><b>Torque (maximums): starting</b>  <b>Section 1:</b> 0.5 oz - in (36gm - cms)  <b>Section 2:</b> 0.9 oz - in (65gm - cms)</p> <p><b>Torque (maximums): running</b>  <b>Section 1:</b> 0.4 oz - in (28.80gm - cms)  <b>Section 2:</b> 0.7 oz - in (50.40gm - cms)</p>	<p><b>Weight (maximums):</b>  <b>Section 1:</b> 0.75 oz (21.26 gm)  <b>Section 2:</b> 1.25 oz (35.44 gm)</p> <p><b>Stop strength:</b> 1.75 oz - in (static) (5.4Kgm - cm)</p> <p><b>Ganging:</b> 2 sections maximum</p>
--	---

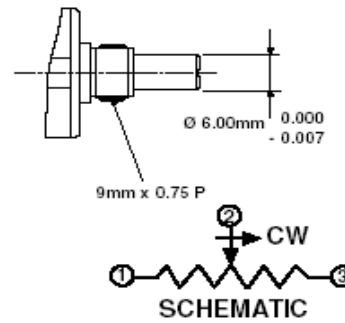


**DRAWING:**

**SINGLE SECTION  
 DIMENSIONS** in millimeters



**METRIC**



Mounting hardware, washer and panel nut, nickel plated