



**Distributor of TE Connectivity AMP Connectors: Excellent Integrated System Limited**  
Datasheet of 745114-2 - D-Sub Connector Receptacle, Female Sockets 25 Position Through  
Hole, Right Angle Solder

Contact us: [sales@integrated-circuit.com](mailto:sales@integrated-circuit.com) Website: [www.integrated-circuit.com](http://www.integrated-circuit.com)

---

## **Excellent Integrated System Limited**

Stocking Distributor

Click to view price, real time Inventory, Delivery & Lifecycle Information:

[TE Connectivity AMP Connectors](#)  
[745114-2](#)

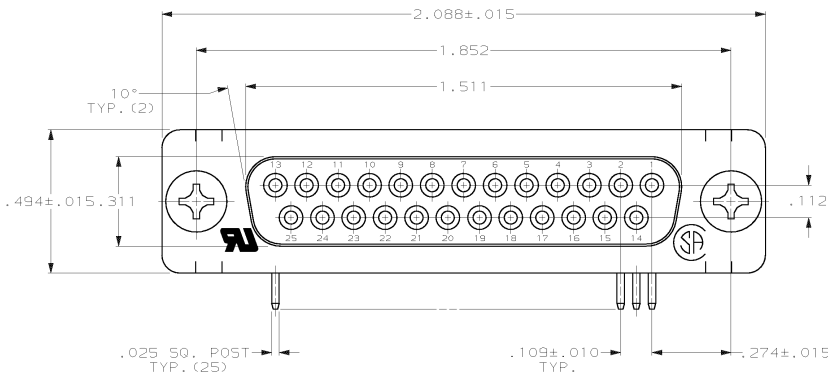
For any questions, you can email us directly:

[sales@integrated-circuit.com](mailto:sales@integrated-circuit.com)

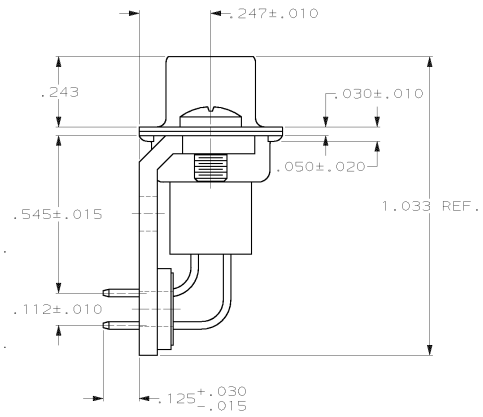
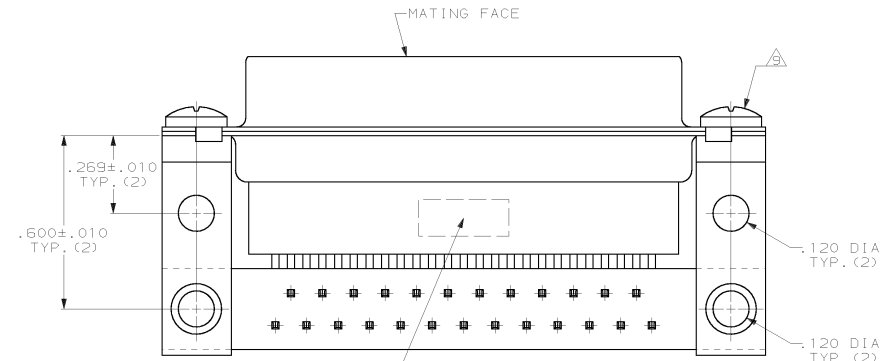
DRAWING MADE IN THIRD ANGLE PROJECTION

THIS DRAWING IS UNPUBLISHED. RELEASED FOR PUBLICATION .19  
 © COPYRIGHT 19 BY AMP INCORPORATED. ALL INTERNATIONAL RIGHTS RESERVED.

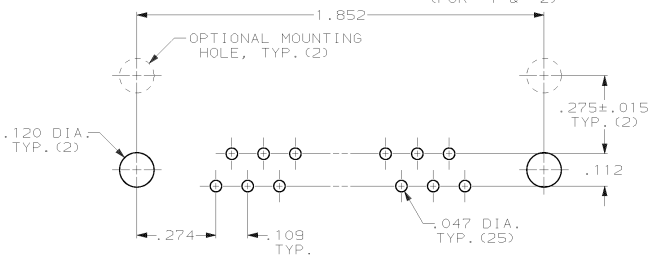
1000		LRC		0101		P		P		ZONE		LTP		REVISIONS		DATE	APPD.	
DESCRIPTION														DATE	APPD.			
-	GP	00													6	REV PER EC 010D-0275-00	03/20/02	JR



- CONNECTOR MATES WITH ANY 25 POS. PLUG IN AMPLIMITE SERIES & COMPLIES WITH AMP SPEC. 108-40,005 WHERE APPLICABLE.
- FLAME RETARDANT 94V-0 RATED THERMOPLASTIC; COLOR: BLACK.
- STEEL PER ASTM A109.
- PHOS. BRONZE PER QQ-B-750.
- TIN PLATING PER MIL-T-10727, GOLD PLATING PER MIL-G-45204, NICKEL PLATING PER QQ-N-290. TIN PLATED.
- GOLD FLASH FOR A LENGTH OF .100 MINIMUM FROM MATING END, .000100 MINIMUM TIN-LEAD ON OPPOSITE END, BOTH OVER .000050 MINIMUM NICKEL.
- .000030 MINIMUM GOLD FOR A LENGTH OF .100 MINIMUM FROM MATING END, .000100 MINIMUM TIN-LEAD ON OPPOSITE END, BOTH OVER .000050 MINIMUM NICKEL.
- SCREWS ARE FOR -1 & -2.



OBSOLETE	△	745114-3
OBSOLETE	△	745114-2
OBSOLETE	△	745114-1
	CONTACT FINISH	PART NO



DO NOT SCALE PRINT. UNLESS SPECIFIED DIMENSIONS IN INCHES TOLERANCES ON:	DR 12-9-83 J. GERACE	AMP Incorporated Harrisburg, PA 17105-3608
2 PLC DEC ±	CHK 12-9-83 J. GERACE	
3 PLC DEC ± .005	APPD 3-15-84 P. SWEIGARD	NAME
ANGLES ± 2°	APPD 9-15-84 J. ASSINI	RECEPTACLE ASSEMBLY, SIZE 3, 25 POS., RIGHT ANGLE, .545 SERIES, .025 SQ. POSTS, AMPLIMITE™ HDP
MATERIAL	PRODUCT SPEC	
MOLDED PARTS: △		
SHELLS & BRACKETS: △		
CONTACTS: △		
FINISH: △	APPLICATION SPEC	SIZE
SHELLS & BRACKETS: △		CAGE CODE
CONTACTS: SEE TABLE		DRAWING NO
		© 00779
		©=745114
	WEIGHT	SCALE
		NT5
		SHEET
		1 OF 1

THIS DRAWING IS A CONTROLLED DOCUMENT FOR AMP INCORPORATED. IT IS SUBJECT TO CHANGE AND THE CONTROLLING ENGINEERING ORGANIZATION SHOULD BE CONTACTED FOR THE LATEST REVISION.