

Excellent Integrated System Limited

Stocking Distributor

Click to view price, real time Inventory, Delivery & Lifecycle Information:

[TE Connectivity AMP Connectors](#)
[745122-2](#)

For any questions, you can email us directly:

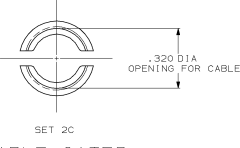
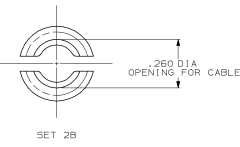
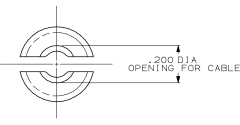
sales@integrated-circuit.com



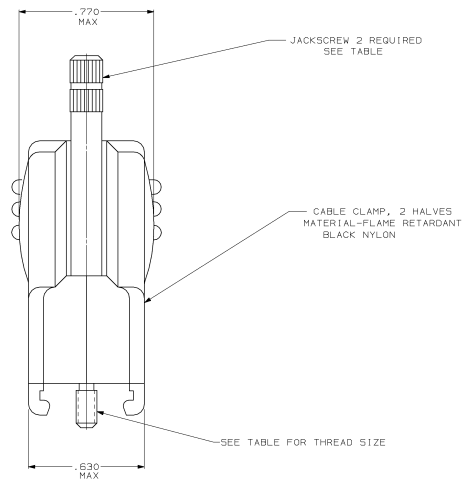
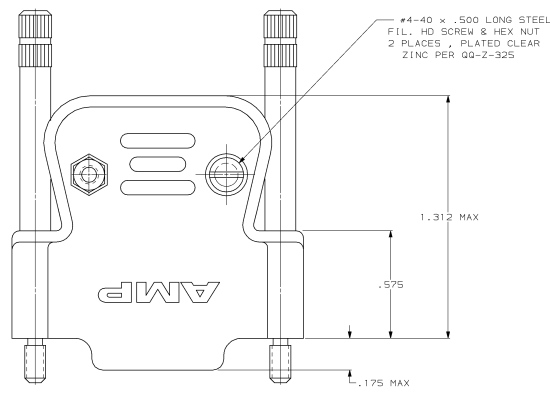
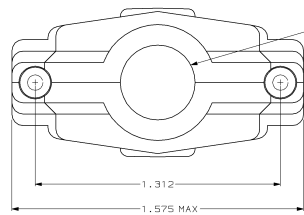
Distributor of TE Connectivity AMP Connectors: Excellent Integrated System Limited
 Datasheet of 745122-2 - CONN BACKSHELL STR DB15 PLASTIC

DRAWING MADE IN THIRD ANGLE PROJECTION
 THIS DRAWING IS UNCONTROLLED WHEN RELEASED FOR PUBLICATION
 © COPYRIGHT 19 BY AMP INCORPORATED. ALL INTERNATIONAL RIGHTS RESERVED.

REVISITONS		DATE	APPD
A	REDRAWN ON CAD	6/11/96	-
B	REV PER EC 0020-246-94	06/19/96	PH
C	OBSOLETE -1 PER EC 0020-779-95	04/02/98	CS



CABLE GATES



- PARTS PACKAGED UNASSEMBLED.
- △ ZINC PER QQ-Z-325, BLACK.

4-40	PASSIVATED	STAINLESS STEEL	745122-2
OBSOLETE	M3 x 0.5	STEEL	745122-1
SCREW THREAD	FINISH	MATERIAL	PART NO
	JACKSCREW		

DO NOT SCALE PRINT. UNLESS SPECIFIED DIMENSIONS IN MILLIMETERS TOLERANCES ON Ø PLD DEC ± .005 Ø PLD DEC ± .005 ANGLES ± °	OR 5/11/90 A.31448 B0 CHK W.S. LEMER APPD J. WESTMAN APPD J. ASSINI PRODUCT SPEC	AMP INCORPORATED Part Number: 745122
SEE CALLOUT		CABLE CLAMP SIZE 2, 15 POSITIONS CONNECTOR WITH TURNABLE JACKSCREWS, AMPLIMITE™
FINISH	APPLICATION SPEC	SIZE FSCN NO DRAWING NO D 00779 745122
WEIGHT		SCALE 4:1 SHEET 1 OF 1