

Excellent Integrated System Limited

Stocking Distributor

Click to view price, real time Inventory, Delivery & Lifecycle Information:

[TE Connectivity AMP Connectors](#)
[745407-1](#)

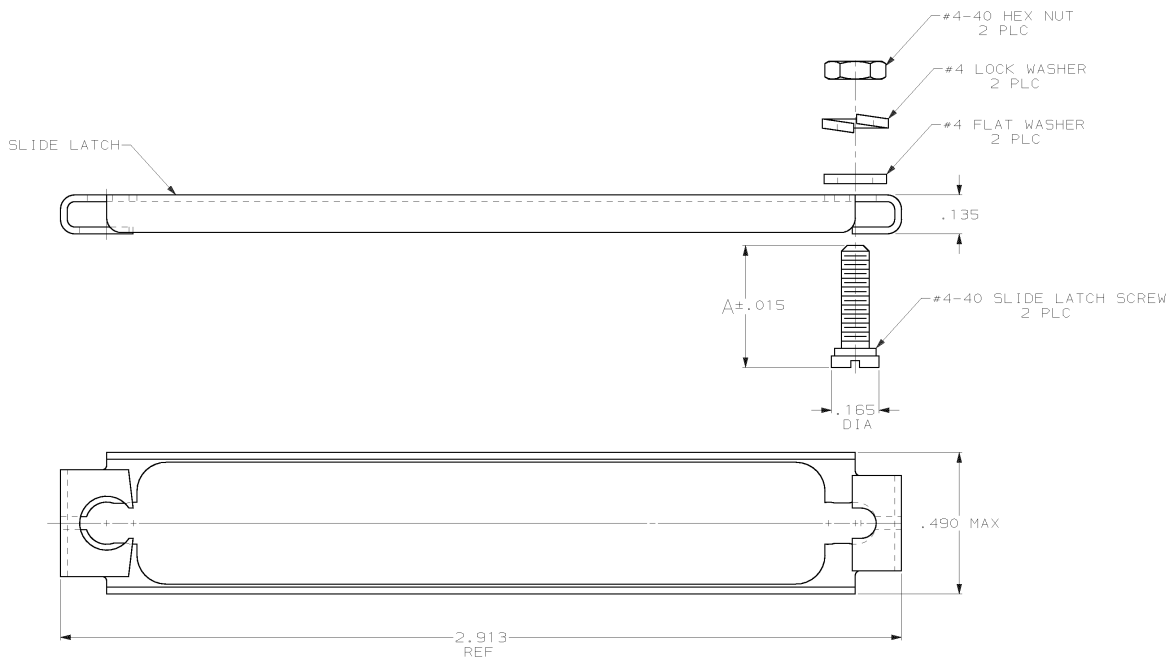
For any questions, you can email us directly:

sales@integrated-circuit.com

DRAWING MADE IN THIRD ANGLE PROJECTION

THIS DRAWING IS UNPUBLISHED. RELEASED FOR PUBLICATION .19
 © COPYRIGHT 19 BY AMP INCORPORATED. ALL INTERNATIONAL RIGHTS RESERVED.

LDC		DISTR		ZONE		LTR		REVISIONS		DATE	APPD
GP	00	F	F			B		REV PER 0010-0274-00		22 01 01	JR



- 1. PARTS PACKAGED UNASSEMBLED.
- 2. PARTS PACKAGED AS A UNIT KIT.
- 3. PARTS INDIVIDUALLY BULK PACKAGED & SHIPPED AS A UNIT PACKAGE.
- 4. THIS KIT CAN BE USED WITH CABLE CLAMP BODIES THAT DO NOT EXTEND BEYOND THE FRONT FLANGE OF THE CONNECTOR OR ON CONNECTORS WITHOUT CABLE CLAMPS.

△ SUPERSEDED BY 745407-1	.415	#4-40	△	745407-2
△	.415	#4-40	△	745407-1

DO NOT SCALE PRINT. UNLESS SPECIFIED	DR	SIZE	FSCM NO	DRAWING NO
DIMENSIONS IN INCHES	-	C	00779	745407
TOLERANCES ON:	CHK	SCALE	4:1	SHEET 1 OF 1
2 PLC DEC ± .005	APPD			
3 PLC DEC ± .005	APPO			
ANGLES # -	PRODUCT SPEC			
WATERIAL	APPLICATION SPEC			
SLIDE LATCH, STAINLESS STEEL				
HARDWARE, STEEL PER ASTM A108				
FINISH				
HARDWARE, ZINC PLATED PER ASTM B633, TYPE 11, CLASS 5C1, YELLOW CHROMATE				
WEIGHT				

AMP | AMP INCORPORATED
 Harrisburg, Pa. 17105

KIT, SLIDE LATCH, SIZE 4,
 37 POSITION, AMPLIMITE ®

CUSTOMER DRAWING