



Distributor of TE Connectivity AMP Connectors: Excellent Integrated System Limited
Datasheet of 749805-3 - D-Sub Connector Plug, Male Pins 25 Position Free Hanging (In-Line)
Crimp

Contact us: sales@integrated-circuit.com Website: www.integrated-circuit.com

Excellent Integrated System Limited

Stocking Distributor

Click to view price, real time Inventory, Delivery & Lifecycle Information:

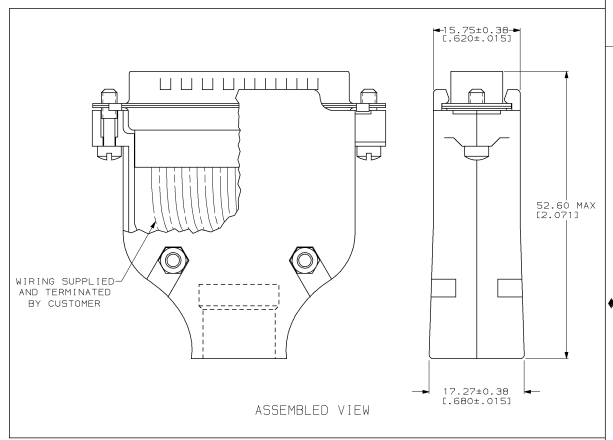
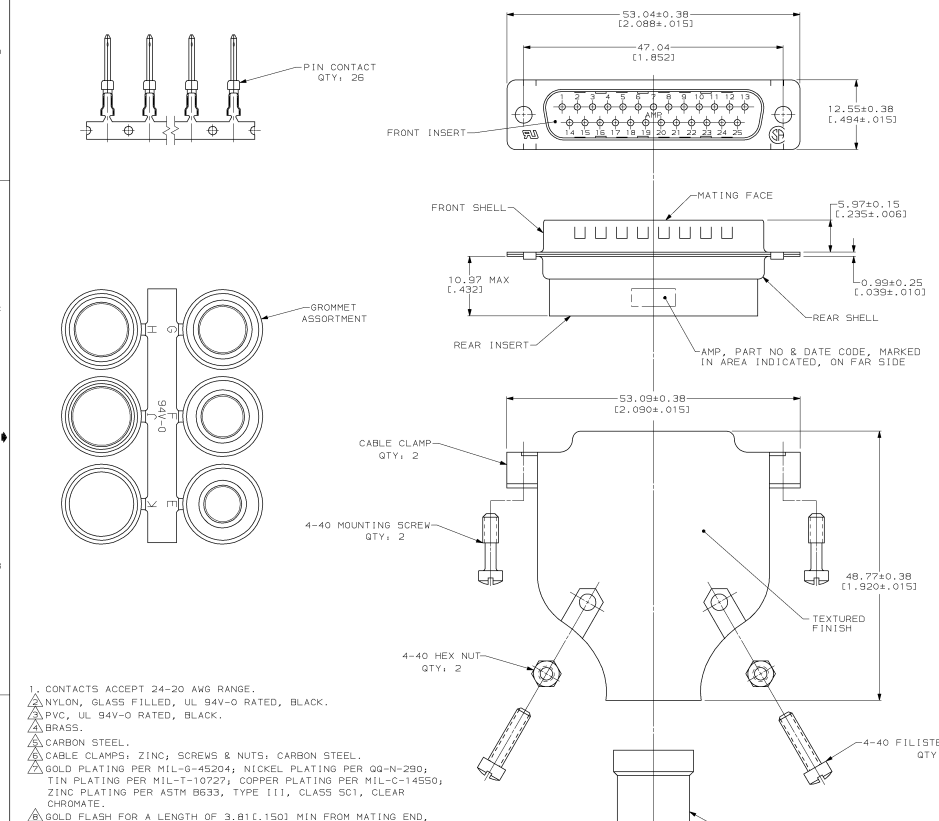
[TE Connectivity AMP Connectors](#)
[749805-3](#)

For any questions, you can email us directly:

sales@integrated-circuit.com

PRINTING MADE IN THIRD ANGLE PROJECTION
 THIS DRAWING IS UNCONTROLLED - RELEASED FOR PUBLICATION
 © COPYRIGHT 18 BY AMP INCORPORATED. ALL INTERNATIONAL RIGHTS RESERVED.

REV	DATE	DESCRIPTION	BY	CHK
0	14-09-00	RELEASED PER NFR 2503		
A	08-04-99	REV PER EC 0020-117-99		
B	04-01-98	REV PER EC 0020-84-95		
C	06-04-95	REV PER EC 0020-309-95		
D	25-04-92	REV PER EC 0020-881-95		
E	04-04-98	REV PER EC 0040-120-98		



- CONTACTS ACCEPT 24-20 AWG RANGE.
- NYLON, GLASS FILLED, UL 94V-0 RATED, BLACK.
- PVC, UL 94V-0 RATED, BLACK.
- BRASS.
- CARBON STEEL.
- CABLE CLAMPS; ZINC; SCREWS & NUTS; CARBON STEEL.
- GOLD PLATING PER MIL-G-45204; NICKEL PLATING PER QQ-N-290; TIN PLATING PER MIL-T-10727; COPPER PLATING PER MIL-C-14550; ZINC PLATING PER ASTM B633, TYPE III, CLASS SC1, CLEAR CHROMATE.
- GOLD FLASH FOR A LENGTH OF 3.81 (0.150) MIN FROM MATING END, 2.54 (0.100) MIN TIN OR TIN-LEAD ON OPPOSITE END FOR A LENGTH OF 4.06 (0.160) MIN FROM END OF INSULATION BARREL, BOTH OVER 0.76 (0.030) MIN NICKEL ON ENTIRE CONTACT.
- 5.08 (0.200) MIN TIN OVER 1.27 (0.050) MIN COPPER.
- MOUNTING SCREWS & NUTS; 3.81 (0.150) MIN ZINC; FILISTER HEAD SCREWS; ZINC.

749805-3		PART NO	
DO NOT SCALE PRINT. UNLESS SPECIFIED DIMENSIONS IN MM (INCHES) TOLERANCES ON 3 PLG DEC ± .	OR 1-5-99 H.B. LEWER	AMP INCORPORATED	
APPRO: 615-20	CHK: 6-1-90	AMP	
PRODUCT SPEC: 108-40011	APPD: 615-20	NAME: PLUG KIT, UNASSEMBLED, SIZE 3, 25 POSITION, METAL SHELL, AMPLIMITE® HDP-20	
FINISH: Δ	CONTACTS: Δ	APPLICATION SPEC: 114-40003	SIZE: D
SHELLS: Δ	SHELLS: Δ	WEIGHT: -	CAGE CODE: 00779
			DRAWING NO: 749805-3
			SCALE: 3:1
			SHEET: 1 OF 1