

Excellent Integrated System Limited

Stocking Distributor

Click to view price, real time Inventory, Delivery & Lifecycle Information:

[TE Connectivity AMP Connectors](#)
[747957-1](#)

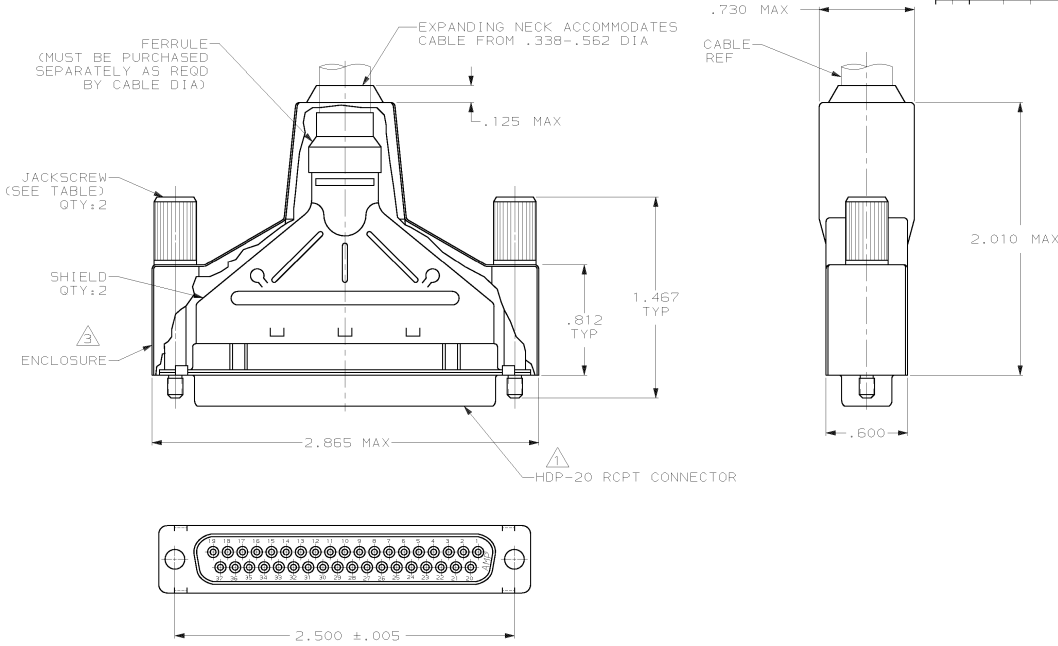
For any questions, you can email us directly:

sales@integrated-circuit.com

DRAWING MADE IN THIRD ANGLE PROJECTION

THIS DRAWING IS UNPUBLISHED. RELEASED FOR PUBLICATION .19
 © COPYRIGHT 19 BY AMP INCORPORATED. ALL INTERNATIONAL RIGHTS RESERVED.

LOC	DIST	P	ZONE	LTR	REVISIONS	DATE	APPD
GP	00			L	REVISED PER EC 0513-0023-03	14MAY03	JG



- ① RCPT ACCEPTS SIZE 20 DF SOCKET CONTACTS. CONTACTS MUST BE PURCHASED SEPARATELY.
- 2. ALL PARTS SHIPPED UNASSEMBLED.
- ③ FLAME RETARDANT 94V-0 RATED, STYRENE POLYOLEFIN OR PVC, BLACK.
- ④ FLAME RETARDANT 94V-0 RATED GLASS FILLED, NYLON OR POLYESTER, BLACK.
- ⑤ STEEL PER ASTM A109.
- ⑥ TIN PLATING PER MIL-T-10727.
- ⑦ ZINC PLATING PER ASTM B633, TYPE II, CLASS SC1, BLACK CHROMATE.
- ⑧ COMPONENTS INDIVIDUALLY BULK PACKED.
- ⑨ INDIVIDUAL KIT PACKAGING OF COMPONENTS.
- ⑩ SEE RESTRICTED CUSTOMER DRAWING 747957-4.

OBSOLETE	①	M3	W/LOGO	747957-5
OBSOLETE	②	-	-	①
OBSOLETE	③	-	W/LOGO	747957-3
OBSOLETE	④	-	W/OUT LOGO	747957-2
	⑤	4-40	W/LOGO	747957-1
PACKAGING		JACKSCREW THREADS	REMARKS	PART NUMBER

DO NOT SCALE PRINT, UNLESS SPECIFIED DIMENSIONS IN INCHES TOLERANCES ON : 3 PLC DEC ± - 2 PLC DEC ± -.020 ANGLES ± -	DR 6/4/90 A.STAUD BG CHK 8-31-93 J.McCLINTON APPD 9-4-90 BOB TAYLOR	AMP INCORPORATED Harrisburg, Pa. 17105	
MATERIAL INSERT: ① SHELLS & SHIELDS: ② JACKSCREWS: ZINC ALLOY	APPD 9-4-90 J.ASSINI PRODUCT SPEC	NAME BULK KIT, RCPT, AMPLIMIT™, SHIELDING ENCLOSURE, 37 POSN, SIZE 4, HDP-20	
FINISH SHELLS & SHIELDS: ③ JACKSCREWS: ④	APPLICATION SPEC	SIZE C	FSCN NO 00779
	WEIGHT	SCALE 2:1	DRAWING NO 747957
			SHEET 1 OF 1