

Excellent Integrated System Limited

Stocking Distributor

Click to view price, real time Inventory, Delivery & Lifecycle Information:

[TE Connectivity AMP Connectors](#)
[747960-1](#)

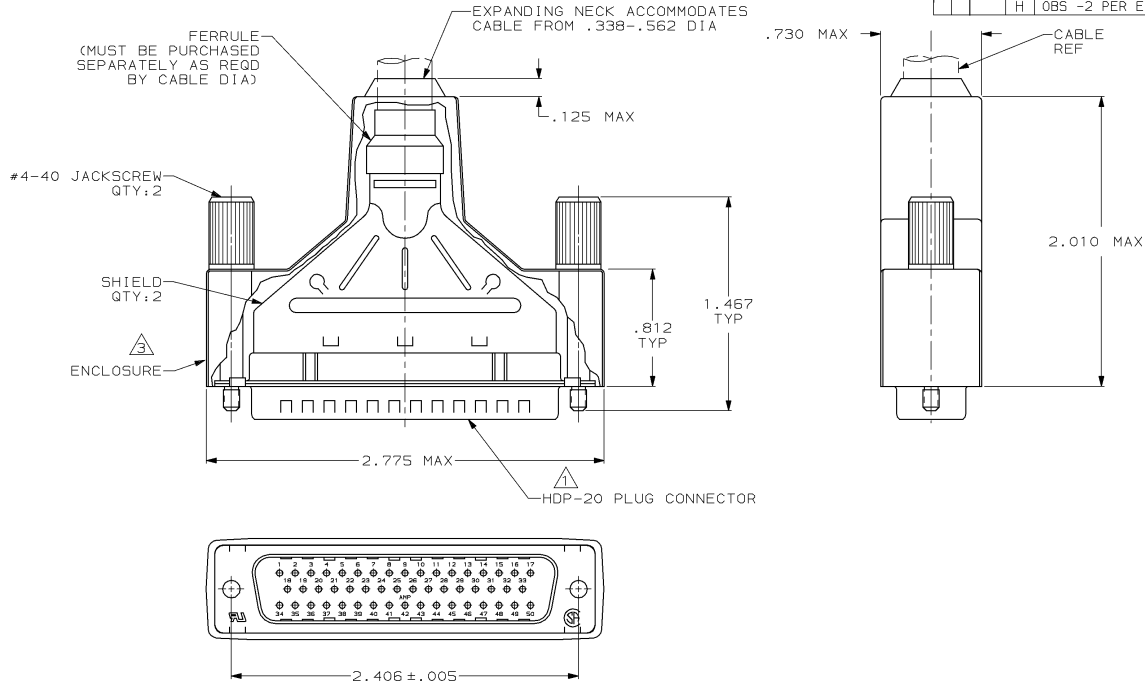
For any questions, you can email us directly:

sales@integrated-circuit.com

4
 DRAWING MADE IN THIRD ANGLE PROJECTION

THIS DRAWING IS UNPUBLISHED. RELEASED FOR PUBLICATION .19
 © COPYRIGHT 19 BY AMP INCORPORATED. ALL INTERNATIONAL RIGHTS RESERVED.

| LOC | | | | REVISONS | | | | DATE | APPD |
|-----|------|---|---|----------|-----|----------------------------|----------|------|------|
| BD | DTST | P | F | ZONE | LTR | DESCRIPTION | | | |
| | 48 | | | G | | REVISED PER ECN BD6133 | 04/02/92 | TMS | |
| | | | | H | | OBS -2 PER EC 0020-1514-93 | 04/15/94 | LF | |



⚠️ PLUG ACCEPTS SIZE 20 DF PIN CONTACTS. CONTACTS MUST BE PURCHASED SEPARATELY.

2. ALL PARTS SHIPPED UNASSEMBLED.

⚠️ FLAME RETARDANT 94V-0 RATED, STYRENE POLYOLEFIN OR PVC, BLACK.

⚠️ FLAME RETARDANT 94V-0 RATED GLASS FILLED, NYLON OR POLYESTER, BLACK.

⚠️ STEEL PER ASTM A109.

⚠️ TIN PLATING PER MIL-T-10727.

⚠️ ZINC PLATING PER ASTM B633, TYPE II, CLASS SCI, BLACK CHROMATE.

⚠️ COMPONENTS INDIVIDUALLY BULK PACKED.

⚠️ INDIVIDUAL KIT PACKAGING OF COMPONENTS.

| OBSELETE | ⚠️ | W/LOGO | 747960-3 |
|-----------|---------|-------------|----------|
| OBSELETE | ⚠️ | W/OUT LOGO | 747960-2 |
| | ⚠️ | W/LOGO | 747960-1 |
| PACKAGING | REMARKS | PART NUMBER | |

| | | | |
|--|-----------------------------|--|--------------|
| DO NOT SCALE PRINT. UNLESS SPECIFIED DIMENSIONS IN INCHES TOLERANCES ON: | DR 6-5-90 J GALLUCCI BG | AMP INCORPORATED Harrisburg, Pa. 17105 | |
| 2 PLC DEC ± .020 | CHK 8-31-90 J. McCLINTON | | |
| ANGLES ± - | APPD 9-4-90 BOB TAYLOR | NAME | |
| MATERIAL | APPD 9-4-90 J. ASSINI | BULK KIT, PLUG, AMPLIMITE™, SHIELDING ENCLOSURE, 50 POSN, SIZE 5, HDP-20 | |
| INSERT: ⚠️ | PRODUCT SPEC | - | |
| SHELLS & SHIELDS: ⚠️ | APPLICATION SPEC | SIZE | FSCM NO |
| JACKSCREWS: ⚠️ | - | C | 00779 |
| | WEIGHT | SCALE | DRAWING NO |
| | - | 2:1 | 747960 |
| | | | SHEET 1 OF 1 |