



## **Excellent Integrated System Limited**

Stocking Distributor

Click to view price, real time Inventory, Delivery & Lifecycle Information:

[TE Connectivity AMP Connectors](#)  
[322007](#)

For any questions, you can email us directly:

[sales@integrated-circuit.com](mailto:sales@integrated-circuit.com)



Distributor of TE Connectivity AMP Connectors: Excellent Integrated System Limited  
 Datasheet of 322007 - CONN RING 6 AWG #3/8 BLU A-BOND

4

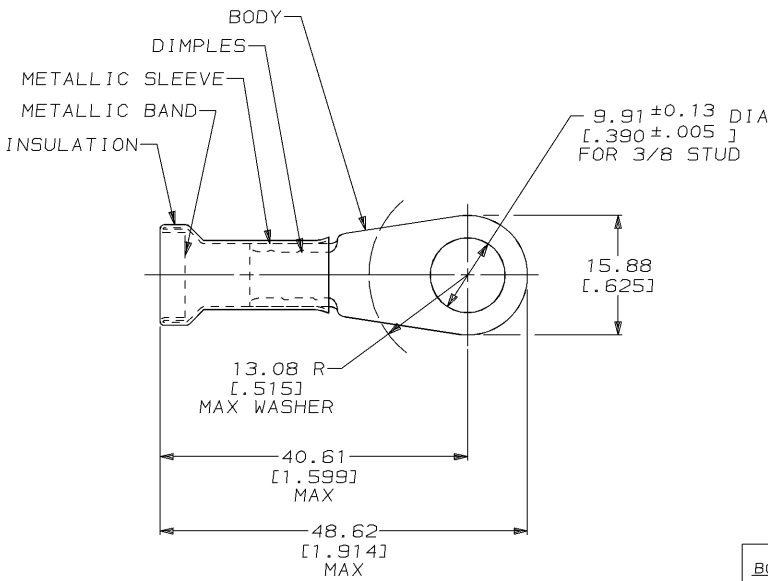
3

2

1

THIS DRAWING IS UNPUBLISHED. RELEASED FOR PUBLICATION, 19...  
 BY AMP INCORPORATED. ALL RIGHTS RESERVED.

LOC	DIST	REVISIONS				
P	LTR	DESCRIPTION	DATE	DWN	APVD	
G	14	J	REVISED & REDRAWN PER 0L20-0086-96	28OCT96	DKS	DMS



- 1 TIN PL 0.00254[.000100] MIN THK PER MIL-T-10727
- 2 GOLD PL 0.00127[.000050] MIN EXT THK PER MIL-G-45204 OVER NICKEL PL 0.00762[.000030] MIN EXT THK PER QQ-N-290
- 3 TAPE MOUNTED
- 4 WIRE INSULATION: 9.58[.377] MAX DIA
- 5 MATERIAL THK: 1.14±0.08 [.045±.003]

BODY: COPPER PER ASTM B-152 ANNEALED INSULATION: PVC COLOR: BLUE METALLIC SLEEVE: COPPER PER ASTM B-152 ANNEALED METALLIC BAND: STEEL PER ASTM A-109 TIN PL 0.00254[.000100] MIN THK PER MIL-T-10727	2-322007-2 2-322007-1 OBSOLETE 322007
MATERIAL & FINISH	AMP PART NUMBER

AMP INCORPORATED  
 CUSTOMER SERVICE SYSTEMS

THIS DRAWING IS A CONTROLLED DOCUMENT.

DWN DK SCHRUM 28OCT96 CHK DM SWARTZ 28OCT96 APVD JL MECKLEY 28OCT96	AMP Incorporated Harrisburg, PA 17105-3608
NAME TERMINAL ASSEMBLY, RING TONGUE, AMPLI-BOND™, WIRE SIZE: 6 AWG	SIZE CASE CODE DRAWING NO A3 00779 C-322007
PRODUCT SPEC APPLICATION SPEC WEIGHT	CUSTOMER DRAWING SCALE 2:1 SHEET 1 OF 1 REV J

FOR ADDITIONAL PRODUCT INFORMATION OR COPIES OF DRAWINGS AND TECHNICAL DOCUMENTS PRODUCT INFORMATION CENTER 1-800-522-6752	RECOMMENDED OPERATING TEMPERATURE: 105°C MAX VOLTAGE RATING: NOT APPLICABLE
FOR APPLICATION TOOLING INFORMATION TOOLING ASSISTANCE CENTER 1-800-722-1111	WIRE CROSS SECTIONAL AREA RANGE: 10.5-16.8mm² [20,800-33,100] CIR MILS SOLID OR STRANDED
FOR ORDER ENTRY 1-800-526-5142	

DIMENSIONS: mm [INCHES]	TOLERANCES UNLESS OTHERWISE SPECIFIED, 0 PLC ±- 1 PLC ±- 2 PLC ±0.20[.008] 3 PLC ±- 4 PLC ±- ANGLES ±-
MATERIAL SEE TABLE	FINISH SEE TABLE

AMP 1470-19 REV 23FEB95