

Excellent Integrated System Limited

Stocking Distributor

Click to view price, real time Inventory, Delivery & Lifecycle Information:

[TE Connectivity AMP Connectors
322053](#)

For any questions, you can email us directly:
sales@integrated-circuit.com



Distributor of TE Connectivity AMP Connectors: Excellent Integrated System Limited
 Datasheet of 322053 - CONN RING 4 AWG #1/4 YEL A-BOND

4

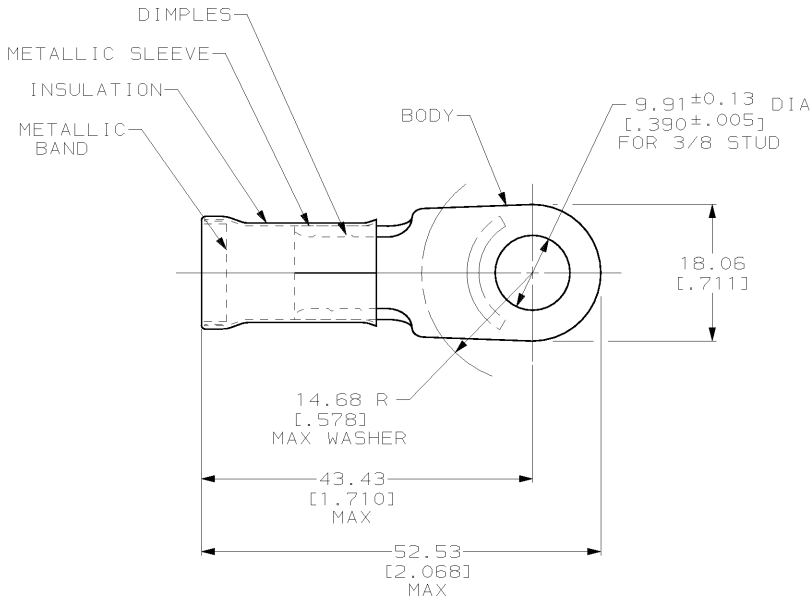
3

2

1

THIS DRAWING IS UNPUBLISHED. RELEASED FOR PUBLICATION .19 .
 BY AMP INCORPORATED. ALL RIGHTS RESERVED.

LOC		DIST		REVISIONS			
P	LTR	DESCRIPTION	DATE	DWN	APVD		
	J	REVISED PER 0L20-0178-97	03NOV97	DKS	CHK		



- 1 MATERIAL THK: 1.45±0.08 [.057±.003]
- 2 WIRE INSULATION DIA: 12.83[.505] MAX
- 3 TIN PL 0.00254[.000100] MIN THK PER ASTM B-545
- 4 GOLD PL 0.00127[.000050] MIN EXT THK PER MIL-G-45204 OVER NICKEL PL 0.00076[.000030] MIN EXT THK PER QQ-N-290

BODY: COPPER PER ASTM B-152 INSULATION: PVC COLOR: RED METALLIC SLEEVE: COPPER PER ASTM B-152 METALLIC BAND: STEEL PER ASTM A-109	OBSOLETE 2-322055-1 322055 AMP PART NUMBER
--	---

AMP INCORPORATED
CUSTOMER SERVICE SYSTEMS

FOR ADDITIONAL PRODUCT INFORMATION OR COPIES OF DRAWINGS AND TECHNICAL DOCUMENTS	PRODUCT INFORMATION CENTER 1-800-522-6752	RECOMMENDED OPERATING TEMPERATURE: 105°C MAX
FOR APPLICATION TOOLING INFORMATION	TOOLING ASSISTANCE CENTER 1-800-722-1111	VOLTAGE RATING: NOT APPLICABLE
FOR ORDER ENTRY	1-800-526-5142	WIRE CROSS SECTIONAL AREA RANGE: 26.7-42.4mm ² [52,600-83,700] CIR MILS SOLID OR STRANDED

THIS DRAWING IS A CONTROLLED DOCUMENT.		DWN DK SCHRUM 03NOV97	AMP Incorporated Harrisburg, PA 17105-3608	NAME TERMINAL, RING TONGUE, AMPLI-BOND™, WIRE SIZE: 2 AWG		
DIMENSIONS: mm [INCHES]	TOLERANCES UNLESS OTHERWISE SPECIFIED:	CRW MJ SPICER 03NOV97		PRODUCT SPEC	SIZE A3	CAGE CODE 00779
3 PLC ±- 1 PLC ±- 2 PLC ±- 3 PLC ±- 4 PLC ±- ANGLES ±-	MATERIAL SEE TABLE	FINISH SEE TABLE		APPLICATION SPEC -	DRAWINGS NO 322055	RESTRICTED TO -
CUSTOMER DRAWING		WEIGHT -	SCALE 2:1		SHEET 1 OF 1 REV J	