

Excellent Integrated System Limited

Stocking Distributor

Click to view price, real time Inventory, Delivery & Lifecycle Information:

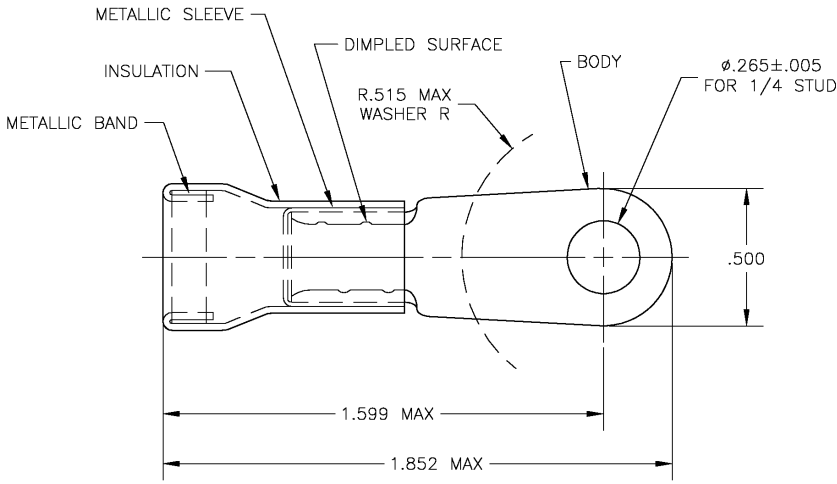
[TE Connectivity AMP Connectors
322051](#)

For any questions, you can email us directly:
sales@integrated-circuit.com

THIS DRAWING IS UNPUBLISHED. RELEASED FOR PUBLICATION
 COPYRIGHT BY TYCO ELECTRONICS CORPORATION. ALL RIGHTS RESERVED.

LOC	DIST	REVISIONS				
P	LTN	DESCRIPTION	DATE	DWN	APVD	
G	86	K	REDRAWN PER 0G3A-0400-04	02JUN04	JR	MS

- 1 TONGUE MATERIAL THICKNESS .045±.003
- 2 BODY: COPPER PER ASTM B-152
 TIN PER ASTM B-545
 INSULATION: PVC, COLOR - BLUE
 METALLIC SLEEVE: COPPER PER ASTM B-152
 METALLIC BAND: STEEL PER ASTM A109
- 3 FOR .377 MAX WIRE INSULATION DIA



2-322051-2	1	WIRE TERMINAL	322051
P/N ON TAPE	QTY	DESCRIPTION	PART NO

THIS DRAWING IS A CONTROLLED DOCUMENT.		DWN jr_ruth 02JUN04	tyco Tyco Electronics Corporation Harrisburg, PA 17105	
DIMENSIONS: INCHES		CHK MJ SPICER 02JUN04	NAME TERMINAL, AMPLI-BOND, RING TONGUE WIRE SIZE: 6	
TOLERANCES UNLESS OTHERWISE SPECIFIED: 0 PLC ± - 1 PLC ± - 2 PLC ± - 3 PLC ± .008 4 PLC ± - ANGLES ± 5°		APVD MJ SPICER 02JUN04	PRODUCT SPEC	RESTRICTED TO
MATERIAL	FINISH	WEIGHT	SIZE A3	CAGE CODE 00779
-	2	-	DRAWING NO 322051	322051
CUSTOMER DRAWING			SCALE 3:1	SHEET 1 of 1
			REV K	