

## Excellent Integrated System Limited

Stocking Distributor

Click to view price, real time Inventory, Delivery & Lifecycle Information:

[TE Connectivity Aerospace, Defense and Marine  
202356-2](#)

For any questions, you can email us directly:

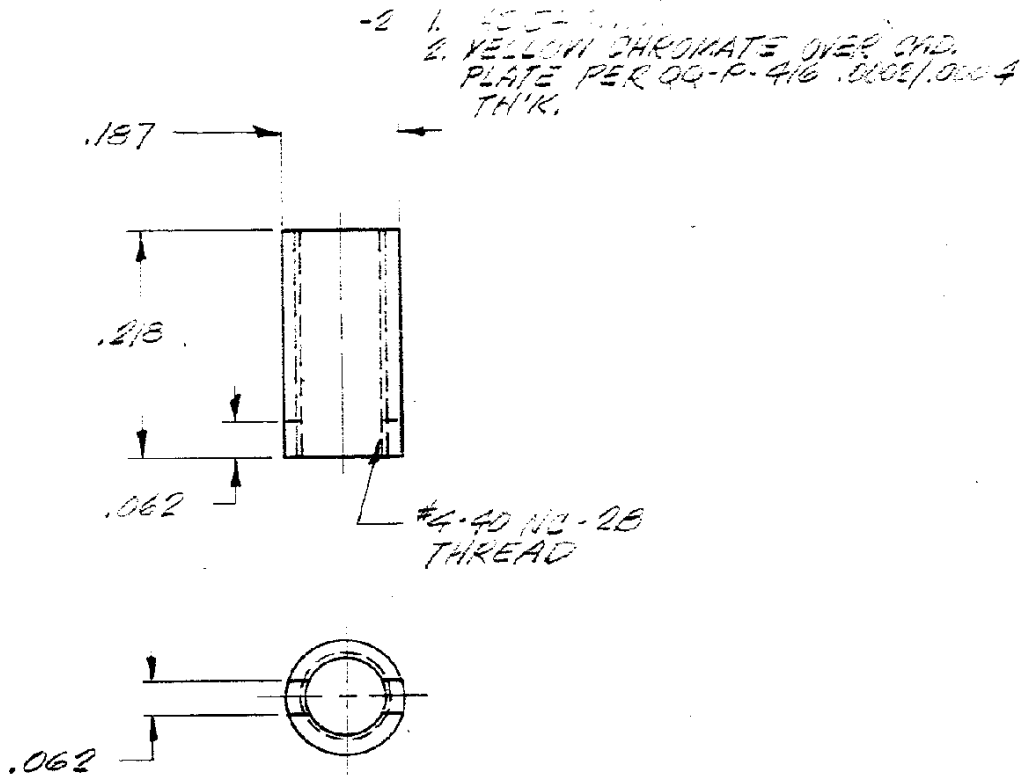
[sales@integrated-circuit.com](mailto:sales@integrated-circuit.com)

DRAWING MADE IN THIRD ANGLE PROJECTION


LOC *R* DIST *39*

© COPYRIGHT 1978 BY AMP INCORPORATED, HARRISBURG, PA. ALL INTERNATIONAL RIGHTS RESERVED. AMP INCORPORATED PRODUCTS COVERED BY U.S. AND FOREIGN PATENTS AND /OR PATENTS PENDING.

REVISIONS			
LTR	DESCRIPTION	DATE	APPROVED
<i>0</i>	<i>RELEASED</i>	<i>8/30/78</i>	<i>[Signature]</i>



PART NO

UNLESS OTHERWISE SPECIFIED DIMENSIONS ARE IN INCHES. TOLERANCES ON: DECIMALS ± .005 ANGLES ± -H-	CONTRACT NO	 <b>AMP INCORPORATED</b> Harrisburg, Pa.	
	DR <i>J. Luffen 3/30/78</i>		
MATERIAL <i>BRASS PER QQ-B-626</i>	CHK <i>Richard Hart III 9/11/78</i>	NAME <i>POLARIZING POST NUT</i>	
	APPD <i>Schneider 9/5/78</i> APPD <i>J. Wise 9/5/78</i>	SIZE <b>A</b>	CODE IDENT NO <b>00779</b>
FINISH <i>SEE DASH NO.</i>	DSGN APPD	DRAWING NO <i>202356</i>	SHEET <i>1</i>
	OTHER APPD	SCALE <i>1:1</i>	