

Excellent Integrated System Limited

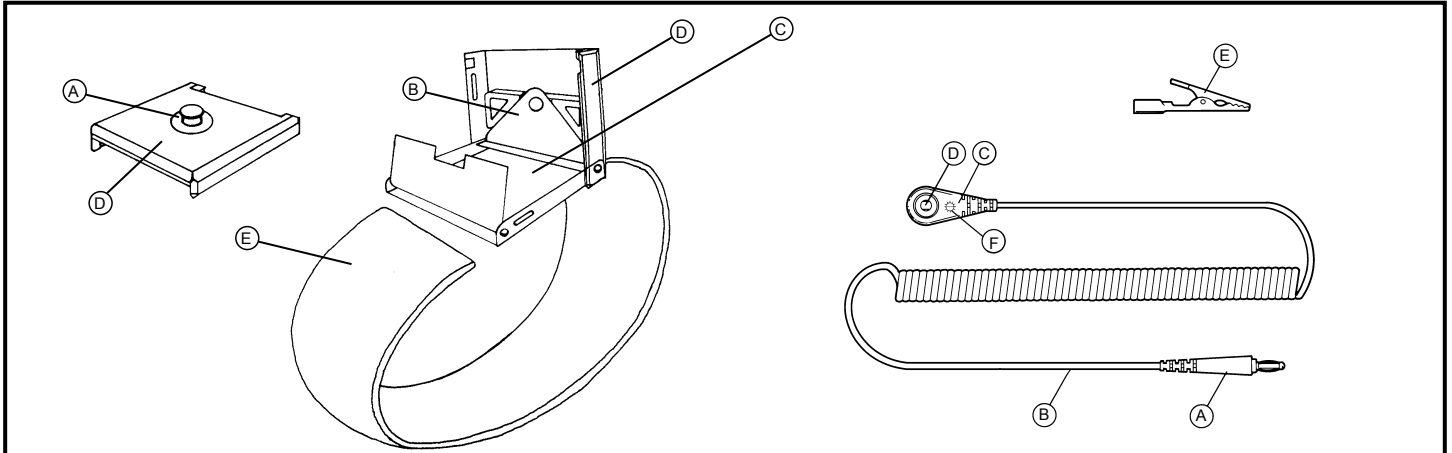
Stocking Distributor

Click to view price, real time Inventory, Delivery & Lifecycle Information:

[Desco](#)
[09039](#)

For any questions, you can email us directly:

sales@integrated-circuit.com



WRIST STRAP:

- A. 4mm stud, to fit 4mm spring loaded medical snap socket.
- B. Easy to open plastic clasp secures elastic material in place, and allows the user to easily adjust the wrist band size. Maintains electrical continuity even when open.
- C. Non-allergenic stainless steel base plate, provides excellent skin contact, for superior grounding.
- D. Insulating cap, thermoplastic.
- E. Soft elastic band.

GROUND CORD:

- A. Barrel type banana plug. Fits industry standard banana jack .166 in. (4.22mm).
- B. Metallized, high flex tinsel, black jacket.
- C. One megohm, 1/4 watt, series resistor, molded within snap assembly, limits current for operator safety.
- D. Spring loaded 4mm snap socket.
- E. Alligator clip included in kit only. It is available separately as item 09700.
- F. Date coded with date of manufacture.

ITEM	DESCRIPTION
09035	Band Only
09037	Cord Only, 6'
09039	Band with 6' Coil Cord and Alligator Clip
09040	Cord Only, 10'

The color of the band material may vary.

<h1>DESCO</h1>	WRIST STRAP KIT, ELASTIC, ADJUSTABLE, ECONOMY		
	DESCO WEST: 3651 WALNUT AVE., CHINO, CA 91710 WEB SITE: Desco.com PHONE (909) 627-8178 FAX (909) 627-7449 FAX REQUEST (909) 627-7126 DESCO EAST: ONE COLGATE WAY, CANTON, MA 02021-1407 PHONE (781) 821-8370 FAX (781) 575-0172	<table border="1" style="width: 100%;"> <tr> <td style="text-align: center;">DRAWING NUMBER 09039</td> <td style="text-align: center;">DATE: February 2010</td> </tr> </table>	DRAWING NUMBER 09039
DRAWING NUMBER 09039	DATE: February 2010		