

Excellent Integrated System Limited

Stocking Distributor

Click to view price, real time Inventory, Delivery & Lifecycle Information:

[TE Connectivity AMP Connectors
322010](#)

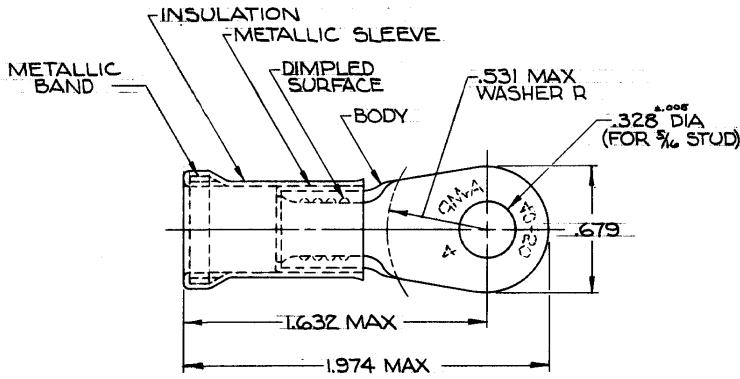
For any questions, you can email us directly:

sales@integrated-circuit.com

DRAWING MADE IN AMERICAN PROJECTION

© 1960 BY AMP INCORPORATED. ALL RIGHTS RESERVED. AMP PRODUCTS COVERED BY PATENTS AND/OR PATENTS PENDING.

REVISIONS				
ZONE	LTR	DESCRIPTION	DATE	APPROVED
C		REDRAWN, UPDATED & ADDED 2-322010-3 NPS 68-0659 (REV 2)	8-14-69	JML
D		PER ECN P-7000	12-12-71	CEW
E		INACTIVE, REACTIVE 2-322010-1 PER P-1263 P-834 INACTIVATED 2-322010-2 P-2-3 P-9269	3-17-82	DDP/DJM
F		2-1 INACTIVE PER P-9909	3-2-83	Z
G		OBS. 2-1, 2-2, 2-3 / 6-2409	8-18-87	
H		REV 6-4680	5-6-88	ST



1. TIN PL (MIL-T-10727)
2. SILVER PL (QQ-S-365) .0002 MIN EXT THK
3. GOLD PL (MIL-G-45204) TYPE II .00005 MIN EXT THK OVER
NICKEL PL (QQ-N-290) .00003 MIN EXT THK

FOR "A" MAX WIRE INSULATION DIA.
 TONGUE MATERIAL THK = .048 ± .003

TAPE MOUNTED	2-322010-4	322010
WIRE TERMINAL	SEE TABLE II	METALLIC BAND: STEEL QQ-S-698 (ASTM A109) INSULATION: YELLOW PVC METALLIC SLEEVE: COPPER (QQ-C-576) BODY: COPPER (QQ-C-576) FINISH: SEE TABLE II
QTY	DESCRIPTION	PART NO.
		MATERIAL & FINISH
UNLESS OTHERWISE SPECIFIED DIMENSIONS ARE IN INCHES TOLERANCES ON: DECIMALS ± .005 ANGLES ± 5°		
CONTRACT NO. 4		AMP INCORPORATED HARRISBURG, PENNSYLVANIA
DR. <i>P. C. Campbell</i> 8-12-69		NAME WIRE TERMINAL
CHK. <i>J. M. G. ...</i> 8-19-69		AMPLI-BOND-RING TONGUE
MATERIAL		WIRE SIZE: 4
SEE TABLE I		SIZE B
APPRO. <i>J. W. ...</i> 8-15-69		CODE IDENT NO. 00779
DESIGN APPD. <i>J. M. ...</i>		NUMBER 322010
OTHER APPD.		SCALE 2:1
		SHEET 1 OF 1

TABLE II

2-322010-3	NOTE 1	505
2-322010-2	NOTE 3	
2-322010-1	NOTE 2	436
322010	NOTE 1	
PART NO.	FINISH	"A"

← OBSOLETE