



Excellent Integrated System Limited

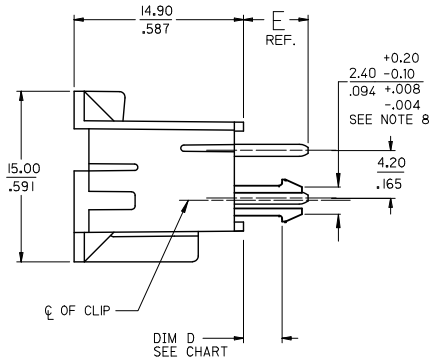
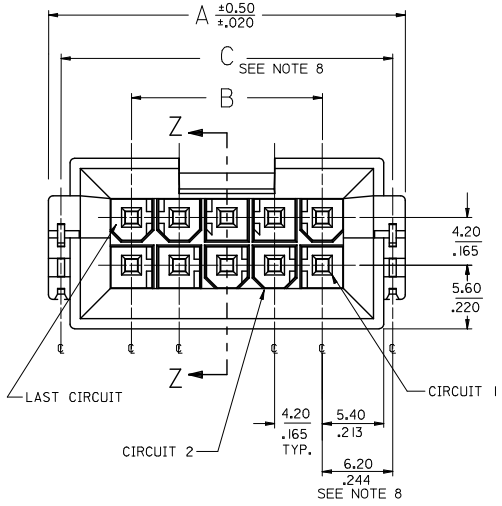
Stocking Distributor

Click to view price, real time Inventory, Delivery & Lifecycle Information:

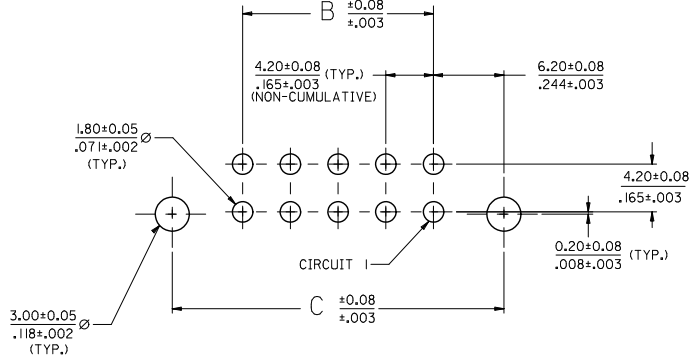
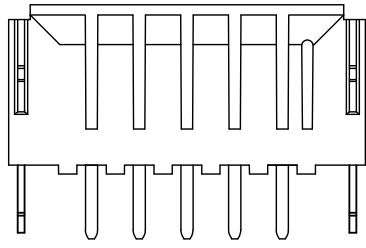
[Molex Connector Corporation](#)
[44068-0004](#)

For any questions, you can email us directly:

sales@integrated-circuit.com

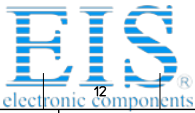


- 1) MATERIALS:
HOUSING: PA46 FILLED, UL94V-0, COLOR: BLACK
TERMINAL: BRASS
BOARD RETENTION CLIP: BRASS
- 2) FINISHES:
1 = 0.00254/(.000100) MIN TIN OVER NICKEL
2 = 0.00076/(.000030) MIN. SELECT GOLD AND 0.00254/(.000100) MIN. SELECT MATTE TIN OVER 0.00127/(.000050) MIN. NICKEL OVERALL
- 3) PRODUCT SPECIFICATIONS: PS-43810-001
- 4) PACKAGING SPECIFICATIONS: PK-43879-001
- 5) PART MATES WITH MOLEX RECEPTACLE SERIES 5557, 42474 AND 44516 AND HEADER SERIES 42385.
- 6) PART ALLOWS FOR 1.27/.050 MAX. MISALIGNMENT WITH MATING HOUSINGS IN ANY DIRECTION.
- 7) CONNECTOR ASSEMBLIES ARE NOT TO BE MATED AND UNMATED WHILE CIRCUITS ARE LIVE.
- 8) THIS DIMENSION DOES NOT APPLY TO PARTS WITHOUT P.C. BOARD RETENTION CLIPS.
- 9) PARTS CONFORM TO CLASS 'B' REQUIREMENTS OF COSMETIC SPECIFICATION PS-45499-002
- 10) DISCOLORATION IN THE BANDOLIER CARRIER AREA OF THE PIN IS INHERENT TO THE PLATING PROCESS AND IS DUE TO THE MASKING EFFECT OF THE CARRIER. THIS DISCOLORATION IS IN A NON-FUNCTIONAL AREA OF THE PIN AND WILL NOT AFFECT THE PERFORMANCE OF THE HEADER ASSEMBLY.



CKTS	DIM. 'A'	DIM. 'B'	DIM. 'C'
4	18.81 ±.740	4.20 ±.165	16.60 ±.653
6	23.01 ±.906	8.40 ±.331	20.80 ±.819
8	27.21 ±1.071	12.60 ±.496	25.00 ±.984
10	31.41 ±1.237	16.80 ±.661	29.20 ±1.150
12	35.61 ±1.402	21.00 ±.828	33.40 ±1.315
14	39.81 ±1.567	25.20 ±.992	37.60 ±1.480
16	44.01 ±1.733	29.40 ±1.157	41.80 ±1.646
18	48.21 ±1.898	33.60 ±1.323	46.00 ±1.811
20	52.41 ±2.063	37.80 ±1.488	50.20 ±1.976
22	56.61 ±2.229	42.00 ±1.654	54.40 ±2.142
24	60.81 ±2.394	46.20 ±1.819	58.60 ±2.307

CHANGE CLIP DIM EC NO: UCP202-3785 DRAWN BY: 2012/05/17 CHKD: BELL 2012/05/17 APPR: SMITH 2012/06/01	QUALITY SYMBOLS ▽=0 ▽=0 ▽=0	GENERAL TOLERANCES (UNLESS SPECIFIED)	DIMENSION STYLE	SCALE	DESIGN UNITS	THIRD ANGLE PROJECTION	
		mm INCH	MM/IN	4:1	METRIC	☉	
		4 PLACES ± --- ± ---	DRAWN BY: MANLAPAZ DATE: 1997/12/04	TITLE	MINI-FIT JR BMI SMC VERTICAL HEADER ASM VARIOUS BOARD THICKNESS		
		3 PLACES ± --- ± .010	CHECKED BY: BANDURA DATE: 1997/12/06	MOLEX MOLEX INCORPORATED			
2 PLACES ± 0.25 ± .014	APPROVED BY: F SMITH DATE: 2012/02/02	MATERIAL NO.	DOCUMENT NO.	SD-44068-031			
1 PLACE ± 0.35 ± ---	ANGULAR ± 1/2°	DRAFT WHERE APPLICABLE MUST REMAIN WITHIN DIMENSIONS		SEE SHEET 2	SHEET NO. 1 OF 2		
THIS DRAWING CONTAINS INFORMATION THAT IS PROPRIETARY TO MOLEX INCORPORATED AND SHOULD NOT BE USED WITHOUT WRITTEN PERMISSION							



Distributor of Molex Connector Corporation: Excellent Integrated System Limited

Datasheet of 44068-0004 - CONN HEADER 10POS STR W/CLIP TIN

Contact us: sales@integrated-circuit.com Website: www.integrated-circuit.com

FINISH:	1 (SEE NOTE 2)	FINISH:	1 (SEE NOTE 2)	FINISH:	1 (SEE NOTE 2)	FINISH:	1 (SEE NOTE 2)
DIM. D:	WITHOUT CLIP	DIM. D:	$\frac{1.79+0.25}{.070+0.10}$	DIM. D:	$\frac{2.60+0.25}{.102+0.10}$	DIM. D:	$\frac{3.39+0.25}{.133+0.10}$
DIM. E:	$\frac{3.30}{.130}$ REF.	DIM. E:	$\frac{3.30}{.130}$ REF.	DIM. E:	$\frac{4.50}{.177}$ REF.	DIM. E:	$\frac{4.90}{.193}$ REF.
PCB THICKNESS:	$\frac{1.60+0.18}{.063+0.07}$	PCB THICKNESS:	$\frac{1.60+0.18}{.063+0.07}$	PCB THICKNESS:	$\frac{2.39+0.18}{.094+0.07}$	PCB THICKNESS:	$\frac{3.18+0.18}{.125+0.07}$
CIRCUITS	MATERIAL NO.	CIRCUITS	MATERIAL NO.	CIRCUITS	MATERIAL NO.	CIRCUITS	MATERIAL NO.
04	44068-0023	04	44068-0001	04	44068-0045	04	44068-0089
06	44068-0024	06	44068-0002	06	44068-0046	06	44068-0090
08	X 44068-0025	08	X 44068-0003	08	X 44068-0047	08	X 44068-0091
10	44068-0026	10	44068-0004	10	44068-0048	10	44068-0092
12	X 44068-0027	12	X 44068-0005	12	X 44068-0049	12	X 44068-0093
14	44068-0028	14	44068-0006	14	44068-0050	14	44068-0094
16	X 44068-0029	16	X 44068-0007	16	X 44068-0051	16	X 44068-0095
18	44068-0030	18	44068-0008	18	44068-0052	18	44068-0096
20	X 44068-0031	20	X 44068-0009	20	X 44068-0053	20	X 44068-0097
22	X 44068-0032	22	X 44068-0010	22	X 44068-0054	22	X 44068-0098
24	44068-0033	24	44068-0011	24	44068-0055	24	44068-0099

FINISH:	2 (SEE NOTE 2)	FINISH:	2 (SEE NOTE 2)	FINISH:	2 (SEE NOTE 2)	FINISH:	2 (SEE NOTE 2)
DIM. D:	WITHOUT CLIP	DIM. D:	$\frac{1.79+0.25}{.070+0.10}$	DIM. D:	$\frac{2.60+0.25}{.102+0.10}$	DIM. D:	$\frac{3.39+0.25}{.133+0.10}$
DIM. E:	$\frac{3.30}{.130}$ REF.	DIM. E:	$\frac{3.30}{.130}$ REF.	DIM. E:	$\frac{4.50}{.177}$ REF.	DIM. E:	$\frac{4.90}{.193}$ REF.
PCB THICKNESS:	$\frac{1.60+0.18}{.063+0.07}$	PCB THICKNESS:	$\frac{1.60+0.18}{.063+0.07}$	PCB THICKNESS:	$\frac{2.39+0.18}{.094+0.07}$	PCB THICKNESS:	$\frac{3.18+0.18}{.125+0.07}$
CIRCUITS	MATERIAL NO.	CIRCUITS	MATERIAL NO.	CIRCUITS	MATERIAL NO.	CIRCUITS	MATERIAL NO.
04	44068-0034	04	44068-0012	04	44068-0056	04	44068-0100
06	44068-0035	06	44068-0013	06	44068-0057	06	44068-0101
08	X 44068-0036	08	X 44068-0014	08	X 44068-0058	08	X 44068-0102
10	44068-0037	10	44068-0015	10	44068-0059	10	44068-0103
12	X 44068-0038	12	X 44068-0016	12	X 44068-0060	12	X 44068-0104
14	44068-0039	14	44068-0017	14	44068-0061	14	44068-0105
16	X 44068-0040	16	X 44068-0018	16	X 44068-0062	16	X 44068-0106
18	44068-0041	18	44068-0019	18	44068-0063	18	44068-0107
20	X 44068-0042	20	X 44068-0020	20	X 44068-0064	20	X 44068-0108
22	X 44068-0043	22	X 44068-0021	22	X 44068-0065	22	X 44068-0109
24	44068-0044	24	44068-0022	24	44068-0066	24	44068-0110

X PRECEDING PART NUMBER DESIGNATES
CIRCUIT SIZE IS NOT TOOLED
PLEASE CONTACT FACTORY

SEE SHEET 1 EC NO: UCP2012-3785 DRAWING: 2012/05/17 CHKD: BELL APPR: SMITH 2012/06/01	QUALITY SYMBOLS ∇=0 ∇=0 ∇=0	GENERAL TOLERANCES (UNLESS SPECIFIED) mm INCH 4 PLACES ± --- ± --- 3 PLACES ± --- ± .010 2 PLACES ± 0.25 ± .014 1 PLACE ± 0.35 ± --- ANGULAR ± 1/2°	DIMENSION STYLE MM/IN DRAWN BY: MANLAPAZ CHECKED BY: BANDURA APPROVED BY: F SMITH DATE: 1997/12/04 DATE: 1997/12/06 DATE: 2012/02/02	SCALE: 1:1 DESIGN UNITS: METRIC THIRD ANGLE PROJECTION	TITLE: MINI-FIT JR BMI SMC VERTICAL HEADER ASM VARIOUS BOARD THICKNESS	MOLEX INCORPORATED	MATERIAL NO. SEE CHART DOCUMENT NO. SD-44068-031 SHEET NO. 2 OF 2				
								DRAFT WHERE APPLICABLE MUST REMAIN WITHIN DIMENSIONS	THIS DRAWING CONTAINS INFORMATION THAT IS PROPRIETARY TO MOLEX INCORPORATED AND SHOULD NOT BE USED WITHOUT WRITTEN PERMISSION		