

Excellent Integrated System Limited

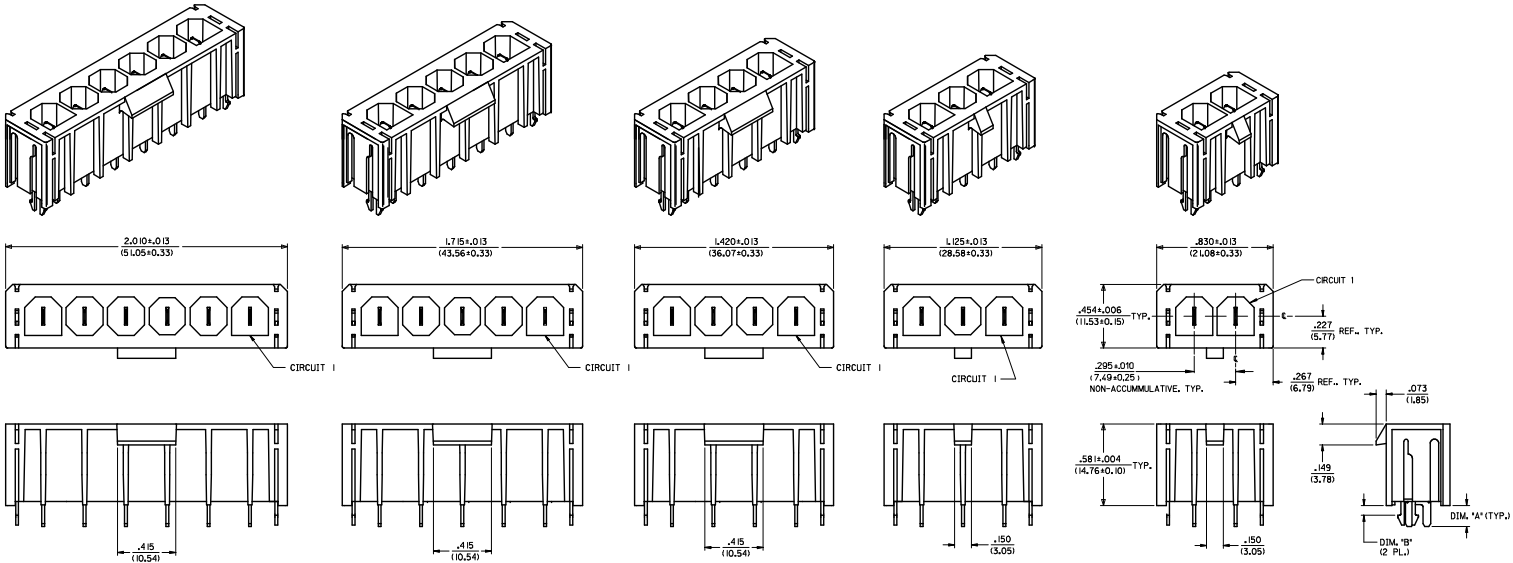
Stocking Distributor

Click to view price, real time Inventory, Delivery & Lifecycle Information:

[Molex Connector Corporation](#)
[0431602103](#)

For any questions, you can email us directly:

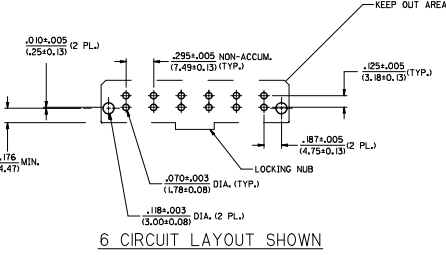
sales@integrated-circuit.com



SEE SHEET 2 AND 3 FOR ITEM NUMBER CHART

RECOMMENDED P.C. BOARD LAYOUT FOR VERTICAL HEADERS

SCALE 2:1



NOTES:

- INSULATOR MATERIAL (SEE CHART)
A = 30% GLASS FILLED 46 NYLON, 94V-0, COLOR: BLACK.
TERMINAL MATERIAL: BRASS
- TERMINAL FINISH: 60 MICRON (1.5 MICROMETER) MINIMUM TIN OVER 50 MICRON (1.25 MICROMETER) MINIMUM NICKEL.
- PRODUCT SPECIFICATION: PSX-4444-9999.
- PACKAGING: SEE CHART.
- THESE HEADERS MATE WITH 43179, 43335, OR 44441 RECEPTACLE HOUSINGS.
- SEE SHEETS 1, 2 AND 3, FOR VERTICAL HEADER ASSEMBLIES AND THEIR RESPECTIVE PART NUMBERS.
- SEE SHEETS 4, 5 AND 6, FOR RIGHT ANGLE HEADER ASSEMBLIES AND THEIR RESPECTIVE PART NUMBERS.
- DIMENSIONS ARE FOR REFERENCE ONLY, UNLESS INDICATED OTHERWISE.

SOLDER TAIL	DIM. "A" ±.020/(0.51)
SHORT	.150 (3.81)
LONG	.210 (5.33)

BOARD LOCK	DIM. "B" ±.004/(0.10)
.062	.070 (1.78)
.094	.102 (2.59)
.125	.133 (3.38)

QUALITY SYMBOLS	GENERAL TOLERANCES (UNLESS SPECIFIED)	DIMENSION STYLE		SCALE	DESIGN UNITS	THIRD ANGLE PROJECTION
		IN/MM	INCH			
▽=0	4 PLACES ±.005	mm	INCH	3:1	INCH	THIRD ANGLE PROJECTION
▽=0	3 PLACES ±.005	mm	INCH	3:1	INCH	THIRD ANGLE PROJECTION
▽=0	2 PLACES ±0.13 ±.01	mm	INCH	3:1	INCH	THIRD ANGLE PROJECTION
▽=0	1 PLACE ±0.25	mm	INCH	3:1	INCH	THIRD ANGLE PROJECTION
▽=0	0 PLACE ±.005	mm	INCH	3:1	INCH	THIRD ANGLE PROJECTION
DRAFT WHERE APPLICABLE MUST REMAIN WITHIN DIMENSIONS		ANGULAR ±1/2°		SEE CHART		INCORPORATED AND SHOULD NOT BE USED WITHOUT WRITTEN PERMISSION

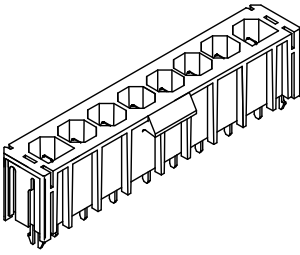
molex

SABRE HEADER, ASSY
RA & VERT, 2-6 & 8 CIR.
.125/(3.18) X .020/(0.51)

DOCUMENT NO. SDA-43160-****
SHEET NO. 1 OF 6

VERTICAL HEADER ASSEMBLY ITEM NO.	PART CHARACTERISTICS FOR VERTICAL HEADER						PACKAGING SPECIFICATIONS	VERTICAL HEADER ASSEMBLY ITEM NO.	PART CHARACTERISTICS FOR VERTICAL HEADER						PACKAGING SPECIFICATIONS	VERTICAL HEADER ASSEMBLY ITEM NO.	PART CHARACTERISTICS FOR VERTICAL HEADER						PACKAGING SPECIFICATIONS
	CIRCUIT SIZE	HSG. MAT'L (SEE NOTE 1)	SOLDER TAIL	BOARD LOCK	VOID	FINGER PROOF LOCATION			CIRCUIT SIZE	HSG. MAT'L (SEE NOTE 1)	SOLDER TAIL	BOARD LOCK	CIRCUIT SIZE	HSG. MAT'L (SEE NOTE 1)			SOLDER TAIL	BOARD LOCK	CIRCUIT SIZE	HSG. MAT'L (SEE NOTE 1)	SOLDER TAIL	BOARD LOCK	
43160-0102	2	A	SHORT	N/A	----	----	PK-43160-0010	43160-0104	4	A	SHORT	N/A	PK-43160-0010	43160-0106	6	A	SHORT	N/A	PK-43160-0010				
43160-0302	2	A	LONG	N/A	----	----	PK-43789-001	43160-0304	4	A	LONG	N/A	PK-43789-001	43160-0306	6	A	LONG	N/A	PK-43789-001				
43160-2102	2	A	SHORT	.062	----	----	PK-43789-001	43160-2104	4	A	SHORT	.062	PK-43789-001	43160-2106	6	A	SHORT	.062	PK-43789-001				
43160-4102	2	A	SHORT	.094	----	----	PK-43789-001	43160-4104	4	A	SHORT	.094	PK-43789-001	43160-4106	6	A	SHORT	.094	PK-43789-001				
43160-4302	2	A	LONG	.094	----	----	PK-43789-001	43160-4304	4	A	LONG	.094	PK-43789-001	43160-4306	6	A	LONG	.094	PK-43789-001				
43160-6302	2	A	LONG	.125	----	----	PK-43789-001	43160-6304	4	A	LONG	.125	PK-43789-001	43160-6306	6	A	LONG	.125	PK-43789-001				
43160-0103	3	A	SHORT	N/A	----	----	PK-43160-0010	43160-0105	5	A	SHORT	N/A	PK-43160-0010										
43160-0303	3	A	LONG	N/A	----	----	PK-43789-001	43160-0305	5	A	LONG	N/A	PK-43789-001										
43160-2103	3	A	SHORT	.062	----	----	PK-43789-001	43160-2105	5	A	SHORT	.062	PK-43789-001										
43160-4103	3	A	SHORT	.094	----	----	PK-43789-001	43160-4105	5	A	SHORT	.094	PK-43789-001										
43160-4303	3	A	LONG	.094	----	----	PK-43789-001	43160-4305	5	A	LONG	.094	PK-43789-001										
43160-6303	3	A	LONG	.125	----	----	PK-43789-001	43160-6305	5	A	LONG	.125	PK-43789-001										
43160-9002	3	3	SHORT	N/A	----	1, 2	PK-43160-0010																

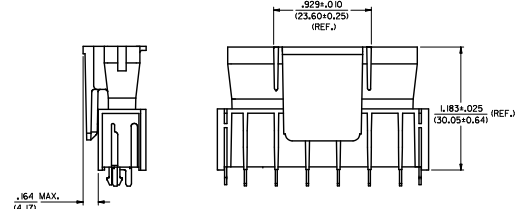
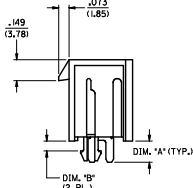
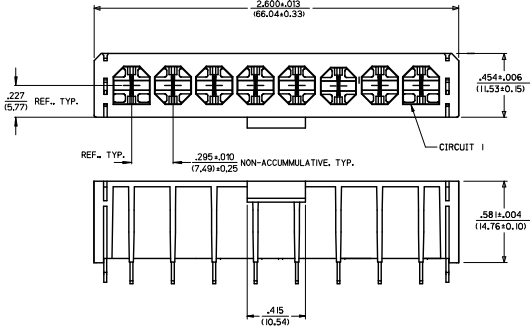
QUALITY SYMBOLS ∇=0 ∇=0 ∇=0	GENERAL TOLERANCES (UNLESS SPECIFIED) 4 PLACES ±.005 3 PLACES ±.005 2 PLACES ±0.13 ±.01 1 PLACE ±0.25 ±.01 0 PLACE ±.005 ±.01	GENERAL TOLERANCES (UNLESS SPECIFIED) mm INCH ±.005 ±.0005 ±0.13 ±.01 ±0.25 ±.01 ±.005 ±.0005	DIMENSION STYLE IN/MM	SCALE 1:1	DESIGN UNITS INCH	THIRD ANGLE PROJECTION 	
	DRAWN BY GC CHECKED BY XBP APPROVED BY FSMITH DATE 11/30/19	DATE 11/30/19	TITLE SABRE HEADER, ASSY RA & VERT, 2-6 & 8 CIR. .125/(3.18)X .020/(0.51)	MOLEX	DOCUMENT NO. SDA-43160-****	SHEET NO. 2 OF 6	DATE 2015/06/25
	SEE SHEET 1 EC No. 167206-3654 DRN/ANANDRA 20/06/18 CHK/ANANDRA 20/06/18 APP/SMITH 20/06/18 REV	ANGULAR ±1/2° DRAFT WHERE APPLICABLE MUST REMAIN WITHIN DIMENSIONS	SEE CHART	THIS DRAWING CONTAINS INFORMATION THAT IS PROPRIETARY TO MOLEX INCORPORATED AND SHOULD NOT BE USED WITHOUT WRITTEN PERMISSION			



BOARD LOCK	DIM. 'B' ±.004/(0.10)
.062	.070/(1.78)
.094	.102/(2.59)
.125	.133/(3.38)

SOLDER TAIL	DIM. 'A' ±.020/(0.51)
SHORT	.150/(3.81)
LONG	.210/(5.33)

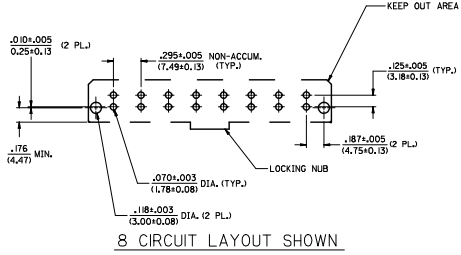
VERTICAL HEADER ASSEMBLY ITEM NO.	PART CHARACTERISTICS FOR VERTICAL HEADER				PACKAGING SPECIFICATIONS
	CIRCUIT SIZE	HSG. MAT'L (SEE NOTE 1)	SOLDER TAIL	BOARD LOCK	
43160-0108	8	A	SHORT	N/A	PK-43160-0010
43160-0308	8	A	LONG	N/A	PK-43789-001
43160-2108	8	A	SHORT	.062	PK-43789-001
43160-4108	8	A	SHORT	.094	PK-43789-001
43160-4308	8	A	LONG	.094	PK-43789-001
43160-6308	8	A	LONG	.125	PK-43789-001



MATED SABRE CONNECTOR

RECOMMENDED P.C. BOARD LAYOUT FOR VERTICAL HEADERS

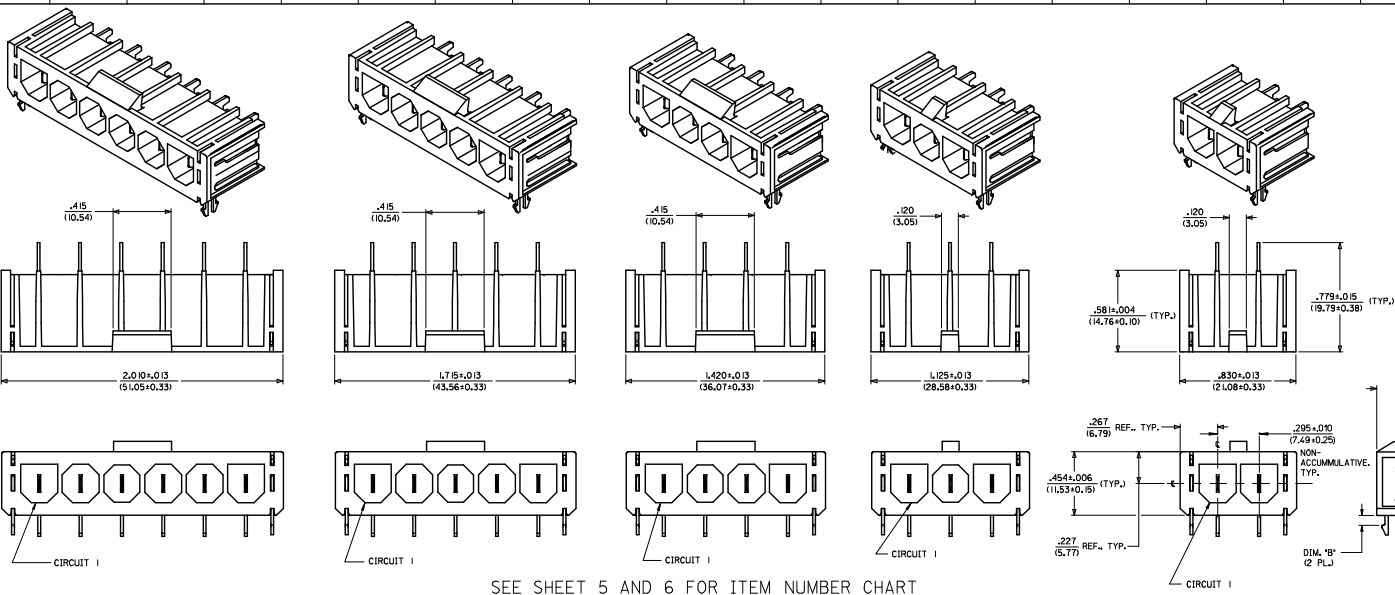
SCALE 2x1



8 CIRCUIT LAYOUT SHOWN

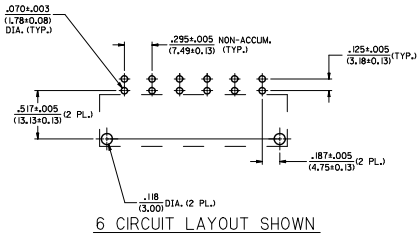
- NOTES:
- INSULATOR MATERIAL (SEE CHART) A = 30% GLASS FILLED 46 NYLON 94V-0, COLOR BLACK. TERMINAL MATERIAL: BRASS
 - TERMINAL FINISH: 60 MICRON (1.50 MICROMETER) MINIMUM TIN OVER. 50 MICRON (1.25 MICROMETER) MINIMUM NICKEL.
 - PRODUCT SPECIFICATION: PSX-44441-9999.
 - PACKAGING: SEE CHART.
 - THESE HEADERS MATE WITH 43178, 43335, OR 44441 RECEPTACLE HOUSING. RESPECTIVE PART NUMBERS.
 - SEE SHEETS 1, 2 AND 3, FOR VERTICAL HEADER ASSEMBLIES AND THEIR RESPECTIVE PART NUMBERS.
 - SEE SHEETS 4, 5 AND 6, FOR RIGHT ANGLE HEADER ASSEMBLIES AND THEIR RESPECTIVE PART NUMBERS.
 - DIMENSIONS ARE FOR REFERENCE ONLY, UNLESS INDICATED OTHERWISE.

QUALITY SYMBOLS	GENERAL TOLERANCES (UNLESS SPECIFIED)		DIMENSION STYLE		SCALE	DESIGN UNITS	THIRD ANGLE PROJECTION
	mm	INCH	IN/MM	IN/IN	3:1	INCH	
∇=0	4 PLACES ±---	±---	DRAWN BY	DATE	TITLE		
∇=0	3 PLACES ±---	±.005	QC	11/30/95	SABRE HEADER, ASSY		
∇=0	2 PLACES ±0.13	±.01	CHECKED BY	DATE	RA & VERT, 2-6 & 8 CIR.		
∇=0	1 PLACE ±0.25	±---	KBP	11/30/95	.125/(3.18)X .020/(0.51)		
∇=0	0 PLACE ±---	±---	APPROVED BY	DATE	molex		
	ANGULAR ±1/2°		FSMITH	2015/06/25	DOCUMENT NO. SDA-43160-****		
DRAFT WHERE APPLICABLE MUST REMAIN WITHIN DIMENSIONS			SEE CHART		SHEET NO. 3 OF 6		
THIS DRAWING CONTAINS INFORMATION THAT IS PROPRIETARY TO MOLEX INCORPORATED AND SHOULD NOT BE USED WITHOUT WRITTEN PERMISSION							



SEE SHEET 5 AND 6 FOR ITEM NUMBER CHART

RECOMMENDED P.C. BOARD LAYOUT FOR RIGHT ANGLE HEADERS
SCALE 2x1



NOTES:

- INSULATOR MATERIAL (SEE CHART)
A = 30% GLASS-FILLED 46 NYLON, 94V-0, COLOR: BLACK
- TERMINAL MATERIAL: BRASS
TERMINAL FINISH: 60 MICRONCH (1.52 MICROMETER) MINIMUM TIN OVER 50 MICRONCH (1.25 MICROMETER) MINIMUM NICKEL.
- PRODUCT SPECIFICATION: PSX-4444-1-9999.
- PACKAGING: SEE CHART.
- THESE HEADERS MATE WITH 43179, 43335, OR 44441 RECEPTACLE HOUSINGS.
- SEE SHEETS 1, 2 AND 3 FOR VERTICAL HEADER ASSEMBLIES AND THEIR RESPECTIVE PART NUMBERS.
- SEE SHEETS 4, 5 AND 6 FOR RIGHT ANGLE HEADER ASSEMBLIES AND THEIR RESPECTIVE PART NUMBERS.
- DIMENSIONS ARE FOR REFERENCE ONLY UNLESS INDICATED OTHERWISE.

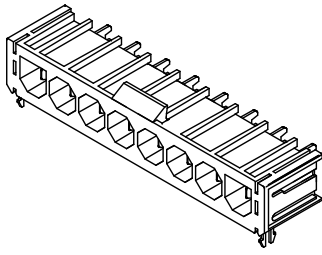
SOLDER TAIL	DIM. 'A' ±.011/(0.28)
SHORT	.150/(3.81)
LONG	.210/(5.33)

BOARD LOCK	DIM. 'B' ±.004/(0.10)
.062	.070/(1.78)
.094	.102/(2.59)
.125	.133/(3.38)

SEE SHEET 1 EC NO. 167206-3654 2016/03/18 DRN/ANANDRA 2016/03/18 CHK/ANANDRA 2016/03/18 APP/RES/18 2016/03/18 REV. 1	QUALITY SYMBOLS ∇=0 ∇=0 ∇=0	GENERAL TOLERANCES (UNLESS SPECIFIED) mm INCH 4 PLACES ±.005 ±.005 3 PLACES ±.010 ±.010 2 PLACES ±.015 ±.015 1 PLACE ±.025 ±.025 0 PLACE ±.050 ±.050 ANGULAR ±1/2°	DIMENSION STYLE IN/MM DRAWN BY DATE QC 11/30/195 CHECKED BY DATE KBP 11/30/195 APPROVED BY DATE FSMITH 2015/06/25	SCALE 3:1 DESIGN UNITS INCH THIRD ANGLE PROJECTION	TITLE SABRE HEADER, ASSY RA & VERT, 2-6 & 8 CIR. .125/(3.18) X .020/(0.51)	MATERIAL NO. SEE CHART	DOCUMENT NO. SDA-43160-****	SHEET NO. 4 OF 6
	DRAFT WHERE APPLICABLE MUST REMAIN WITHIN DIMENSIONS							
	THIS DRAWING CONTAINS INFORMATION THAT IS PROPRIETARY TO MOLEX INCORPORATED AND SHOULD NOT BE USED WITHOUT WRITTEN PERMISSION							

RT. ANGLE HEADER ASSEMBLY ITEM NO.	CIRCUIT SIZE	HSG. MAT'L (SEE NOTE 1)	SOLDER TAIL	BOARD LOCK	PACKAGING SPECIFICATIONS	RT. ANGLE HEADER ASSEMBLY ITEM NO.	CIRCUIT SIZE	HSG. MAT'L (SEE NOTE 1)	SOLDER TAIL	BOARD LOCK	PACKAGING SPECIFICATIONS	VOID CIRCUIT NUMBER(S)	RT. ANGLE HEADER ASSEMBLY ITEM NO.	CIRCUIT SIZE	HSG. MAT'L (SEE NOTE 1)	SOLDER TAIL	BOARD LOCK	PACKAGING SPECIFICATIONS
43160-1102	2	A	SHORT	N/A	PK-43160-0010	43160-1104	4	A	SHORT	N/A	PK-43160-0010	-	43160-1106	6	A	SHORT	N/A	PK-43160-0010
43160-1302	2	A	LONG	N/A	PK-43789-001	43160-1304	4	A	LONG	N/A	PK-43789-001	-	43160-1306	6	A	LONG	N/A	PK-43789-001
43160-3102	2	A	SHORT	.062	PK-43789-001	43160-3104	4	A	SHORT	.062	PK-43789-001	-	43160-3106	6	A	SHORT	.062	PK-43789-001
43160-5102	2	A	SHORT	.094	PK-43789-001	43160-5104	4	A	SHORT	.094	PK-43789-001	-	43160-5106	6	A	SHORT	.094	PK-43789-001
43160-5302	2	A	LONG	.094	PK-43789-001	43160-5304	4	A	LONG	.094	PK-43789-001	-	43160-5306	6	A	LONG	.094	PK-43789-001
43160-7302	2	A	LONG	.125	PK-43789-001	43160-7304	4	A	LONG	.125	PK-43789-001	-	43160-7306	6	A	LONG	.125	PK-43789-001
43160-1103	3	A	SHORT	N/A	PK-43160-0010	43160-1105	5	A	SHORT	N/A	PK-43160-0010	-						
43160-1303	3	A	LONG	N/A	PK-43789-001	43160-1305	5	A	LONG	N/A	PK-43789-001	-						
43160-3103	3	A	SHORT	.062	PK-43789-001	43160-3105	5	A	SHORT	.062	PK-43789-001	-						
43160-5103	3	A	SHORT	.094	PK-43789-001	43160-5105	5	A	SHORT	.094	PK-43789-001	-						
43160-5303	3	A	LONG	.094	PK-43789-001	43160-5305	5	A	LONG	.094	PK-43789-001	-						
43160-7303	3	A	LONG	.125	PK-43789-001	43160-7305	5	A	LONG	.125	PK-43789-001	-						
						43160-9001	4	A	SHORT	.062	PK-43789-001	2						
						43160-9003	5	A	SHORT	.062	PK-43789-001	2, 4						

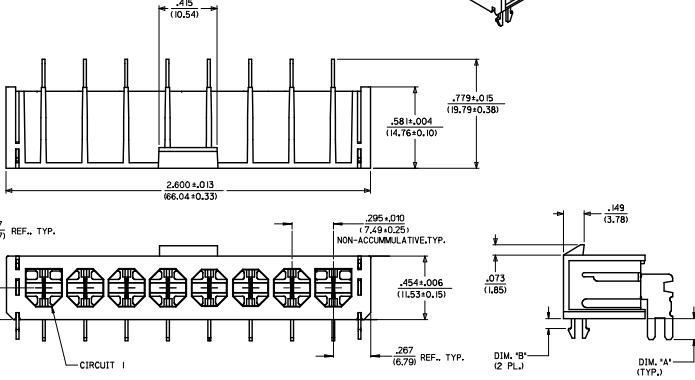
QUALITY SYMBOLS ∇=0 ∇=0 ∇=0	GENERAL TOLERANCES (UNLESS SPECIFIED) 4 PLACES ±.005 3 PLACES ±.005 2 PLACES ±0.13 ±.01 1 PLACE ±0.25 ±.01 0 PLACE ±.005 ±.01 ANGULAR ±1/2° DRAFT WHERE APPLICABLE MUST REMAIN WITHIN DIMENSIONS	DIMENSION STYLE IN/MM	SCALE 1:1	DESIGN UNITS INCH	THIRD ANGLE PROJECTION	QUALITY SYMBOLS ∇=0 ∇=0 ∇=0	GENERAL TOLERANCES (UNLESS SPECIFIED) 4 PLACES ±.005 3 PLACES ±.005 2 PLACES ±0.13 ±.01 1 PLACE ±0.25 ±.01 0 PLACE ±.005 ±.01 ANGULAR ±1/2° DRAFT WHERE APPLICABLE MUST REMAIN WITHIN DIMENSIONS	DIMENSION STYLE IN/MM	SCALE 1:1	DESIGN UNITS INCH	THIRD ANGLE PROJECTION
						QUALITY SYMBOLS ∇=0 ∇=0 ∇=0	GENERAL TOLERANCES (UNLESS SPECIFIED) 4 PLACES ±.005 3 PLACES ±.005 2 PLACES ±0.13 ±.01 1 PLACE ±0.25 ±.01 0 PLACE ±.005 ±.01 ANGULAR ±1/2° DRAFT WHERE APPLICABLE MUST REMAIN WITHIN DIMENSIONS	DIMENSION STYLE IN/MM	SCALE 1:1	DESIGN UNITS INCH	THIRD ANGLE PROJECTION



BOARD LOCK DIM. "B" +.004/(0,10)	
.062	.070/(1,78)
.094	.102/(2,59)
.125	.133/(3,38)

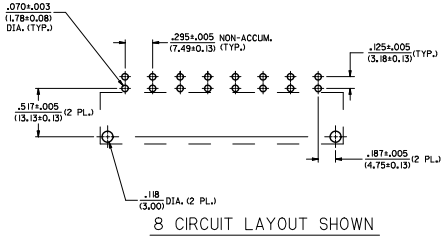
SOLDER TAIL DIM. "A" +.011/(0,28)	
SHORT	.150/(3,81)
LONG	.210/(5,33)

RT. ANGLE HEADER ASSEMBLY ITEM NO.	PART CHARACTERISTICS FOR RIGHT ANGLE HEADER				PACKAGING SPECIFICATIONS
	CIRCUIT SIZE	HSG. MAT'L (SEE NOTE 1)	SOLDER TAIL	BOARD LOCK	
43160-1108	8	A	SHORT	N/A	PK-43160-0010
43160-1308	8	A	LONG	N/A	PK-43789-001
43160-3108	8	A	SHORT	.062	PK-43789-001
43160-5108	8	A	SHORT	.094	PK-43789-001
43160-5308	8	A	LONG	.094	PK-43789-001
43160-7308	8	A	LONG	.125	PK-43789-001



RECOMMENDED P.C. BOARD LAYOUT FOR RIGHT ANGLE HEADERS

SCALE 2:1



NOTES:

- INSULATOR MATERIAL (SEE CHART) A = 30% GLASS FILLED 46 NYLON 94V-0, COLOR: BLACK.
- TERMINAL MATERIAL: BRASS
- TERMINAL FINISH: 60 MICRONCH (150 MICROMETER) MINIMUM TIN OVER 50 MICRONCH (1,25 MICROMETER) MINIMUM NICKEL.
- PRODUCT SPECIFICATION: PSX-44441-9999.
- PACKAGING: SEE CHART.
- THESE HEADERS MATE WITH 43179, 43335, OR 44441 RECEPTACLE HOUSINGS.
- SEE SHEETS 1, 2 AND 3, FOR VERTICAL HEADER ASSEMBLIES AND THEIR RESPECTIVE PART NUMBERS.
- SEE SHEETS 4, 5 AND 6, FOR RIGHT ANGLE HEADER ASSEMBLIES AND THEIR RESPECTIVE PART NUMBERS.
- DIMENSIONS ARE FOR REFERENCE ONLY, UNLESS INDICATED OTHERWISE.

QUALITY SYMBOLS	GENERAL TOLERANCES (UNLESS SPECIFIED)		DIMENSION STYLE		SCALE	DESIGN UNITS	THIRD ANGLE PROJECTION	
	mm	INCH	IN/MM	IN/IN				
▽=0	4 PLACES ±.005	±.0005	DRAWN BY	DATE	3:1	INCH	THIRD ANGLE PROJECTION	
▽=0	3 PLACES ±.01	±.001	CHECKED BY	DATE				
▽=0	2 PLACES ±.025	±.0025	APPROVED BY	DATE				
	1 PLACE ±.05	±.005	DATE	2015/06/25				
	0 PLACE	±.000	DATE					
	ANGULAR ±1/2°		MATERIAL NO.		DOCUMENT NO.		SHEET NO.	
	DRAFT WHERE APPLICABLE MUST REMAIN WITHIN DIMENSIONS		SEE CHART		SDA-43160-****		6 OF 6	
	THIS DRAWING CONTAINS INFORMATION THAT IS PROPRIETARY TO MOLEX INCORPORATED AND SHOULD NOT BE USED WITHOUT WRITTEN PERMISSION							