

## Excellent Integrated System Limited

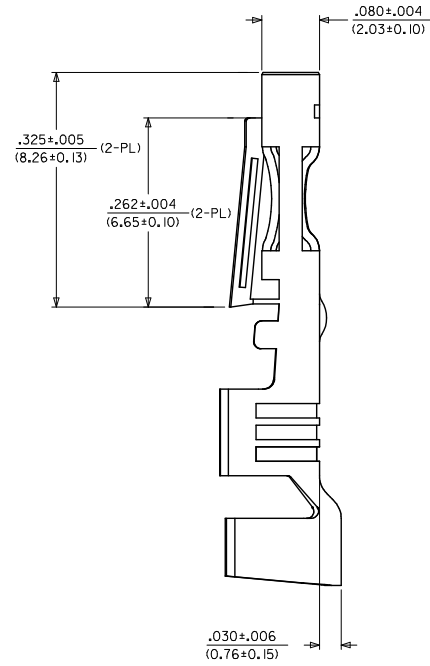
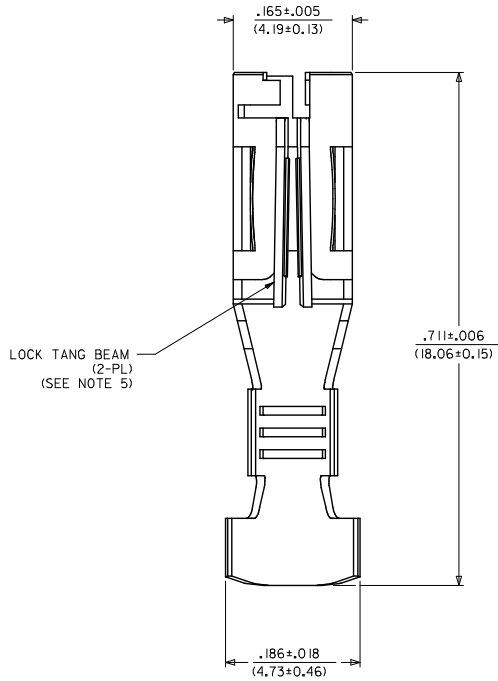
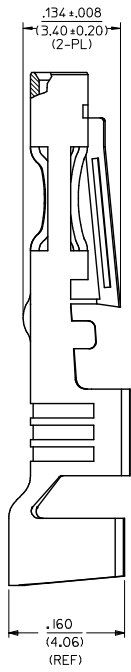
Stocking Distributor

Click to view price, real time Inventory, Delivery & Lifecycle Information:

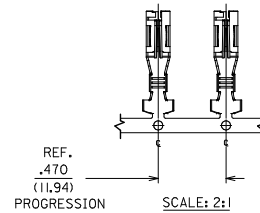
[Molex Connector Corporation](#)  
[0433750001](#)

For any questions, you can email us directly:

[sales@integrated-circuit.com](mailto:sales@integrated-circuit.com)



**SMALL INSULATION CRIMP**



**NOTES:**

1. SINGLE CRIMP TO #16 & #14 AWG WIRE, WITH .031/(0.79) MAXIMUM INSULATION THICKNESS.
2. MATERIAL: .012/(0.30) THICK C26000 BRASS.
3. FINISH: HOT TIN DIP.
4. PRODUCT SPECIFICATION : PS-44441-9999.
5. NO PORTION OF ONE LOCK TANG BEAM SHALL TOUCH ANY PORTION OF THE OTHER LOCK TANG BEAM.

<b>CORRECT TOLERANCE</b> EC NO: UCP2014-5466 DRAWN: JFOX 2014/07/09 CHK: BANERJIN 2014/07/09 APPR: SMITH 2014/07/17	QUALITY SYMBOLS ∇=0 ∇=0 ∇=0	GENERAL TOLERANCES (UNLESS SPECIFIED)		DIMENSION STYLE IN/MM		SCALE 10:1	DESIGN UNITS INCH	THIRD ANGLE PROJECTION
		4 PLACES ± --- ± --- 3 PLACES ± --- ± .005 2 PLACES ± 0.13 ± .01 1 PLACE ± 0.25 ± --- 0 PLACE ± ±	DRAWN BY MAB	DATE 05/08/94	TITLE TERMINAL, RECEPTACLE .125/(3.18) X .020/(.51) FLAT BLADE SYSTEM - TPA			
		ANGULAR ± 1/2° DRAFT WHERE APPLICABLE MUST REMAIN WITHIN DIMENSIONS	CHECKED BY KBP	DATE 05/08/94	APPROVED BY RAS			
		MATERIAL NO. 433750001	DOCUMENT NO. SD-43375-0001	SHEET NO. 1 OF 1	THIS DRAWING CONTAINS INFORMATION THAT IS PROPRIETARY TO MOLEX INCORPORATED AND SHOULD NOT BE USED WITHOUT WRITTEN PERMISSION			