

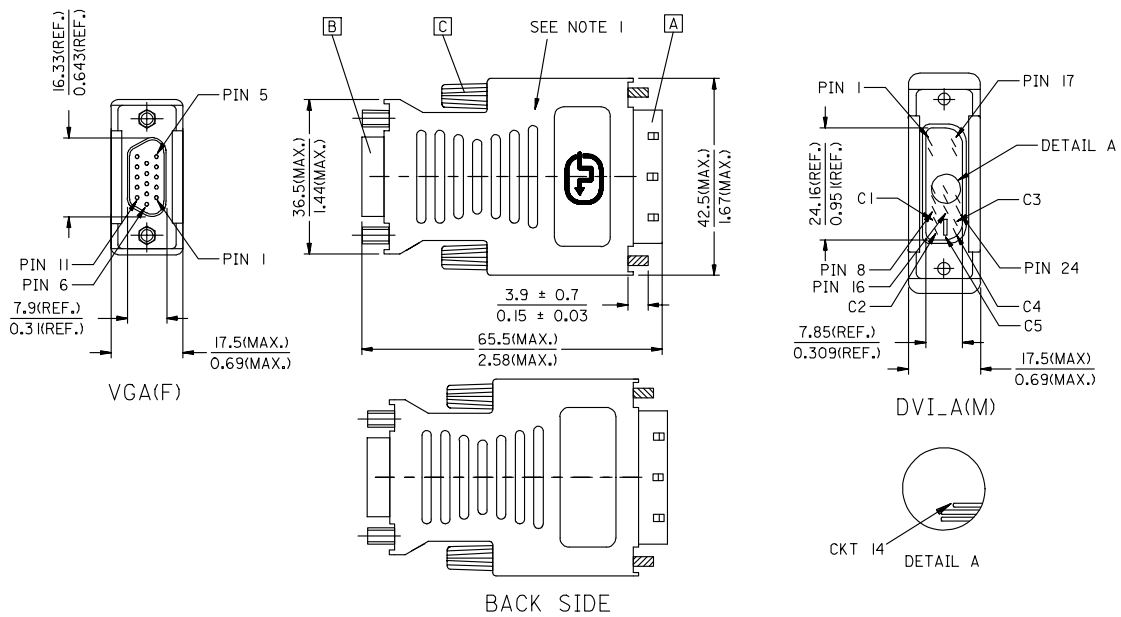
## **Excellent Integrated System Limited**

Stocking Distributor

Click to view price, real time Inventory, Delivery & Lifecycle Information:

[Molex Connector Corporation](#)  
[0887418700](#)

For any questions, you can email us directly:  
[sales@integrated-circuit.com](mailto:sales@integrated-circuit.com)



ENTER DESCRIPTION EC NO: DG2006-0186 2006/03/09 DRW: PDAI CHKD: ZXDENG 2006/03/09 APPR: IKAN 2006/03/10	QUALITY SYMBOLS ▽=0 ▽=0	GENERAL TOLERANCES (UNLESS SPECIFIED)		DIMENSION STYLE	SCALE	DESIGN UNITS	THIRD ANGLE PROJECTION	
		mm	INCH	MM/IN	---	METRIC		
		4 PLACES	±---	±---	DRAWN BY	DATE	TITLE	
		3 PLACES	±---	±---	PDAI	2006/03/07	DVI_A(M)-VGA(F) ADAPTER	
2 PLACES	±---	±---	CHECKED BY	DATE	MOLEX INCORPORATED SHEET NO. 1 OF 2			
1 PLACE	±---	±---	ZXDENG	2006/03/07				
ANGULAR	±---	°	APPROVED BY	DATE	MATERIAL NO. 88741-8700 DOCUMENT NO. SD-88741-008			
DRAFT WHERE APPLICABLE MUST REMAIN WITHIN DIMENSIONS				BORON	2006/03/07	THIS DRAWING CONTAINS INFORMATION THAT IS PROPRIETARY TO MOLEX INCORPORATED AND SHOULD NOT BE USED WITHOUT WRITTEN PERMISSION		

7 6 5 4 3 2 1

- NOTE:1. MOLD WITH SNOW WHITE PVC RESIN 887800077 FOR ADAPTOR COVER.  
 2. DVI CONNNECTOR SPECIFICATION  
 2.1 REFER TO PRODUCT SPEC. PS74320-0001.  
 2.2 CONTACT PLATING: AU FLASH.  
 3. ELECTRICAL PERFORMANCE  
 3.1 INSULATION RESISANCE: 20M Ohms Min  
 3.2 DIELECTRIC STRENGTH: 300V DC FOR 10 MILLISECONDS.  
 3.3 IMPEDANCE: 75 ± 10%Ohms ON THE CO-AXIAL WIRES.  
 4. ADAPTOR SPECIFICATION  
 4.1 REFER TO PRODUCT SPEC. PS88741-8700.  
 5. THIS PRODUCT MUST MEET MX RoHS COMPLIANCE.

6. CONNECTION DIAGRAM

SHIELD	SHIELD	GROUND
PIN R6,G7,B8	C 5	ANLOG GROUND
PIN 13	C 4	HORIZONTAL SYNC
PIN 3	C 3	ANLOG
PIN 2	C 2	ANLOG
PIN 1	C 1	ANLOG
PIN 5,10	PIN 15	GROUND(+5V & HV SYNC)
PIN 9	PIN 14,16	POWER +5V/HOT PLUG DETECT
PIN 14	PIN 8	VERTICAL SYNC
PIN 12	PIN 7	DDC DATA
PIN 15	PIN 6	DDC CLOCK
VGA	DVI_A	CABLE FUNCTION

7. MATERIAL LIST

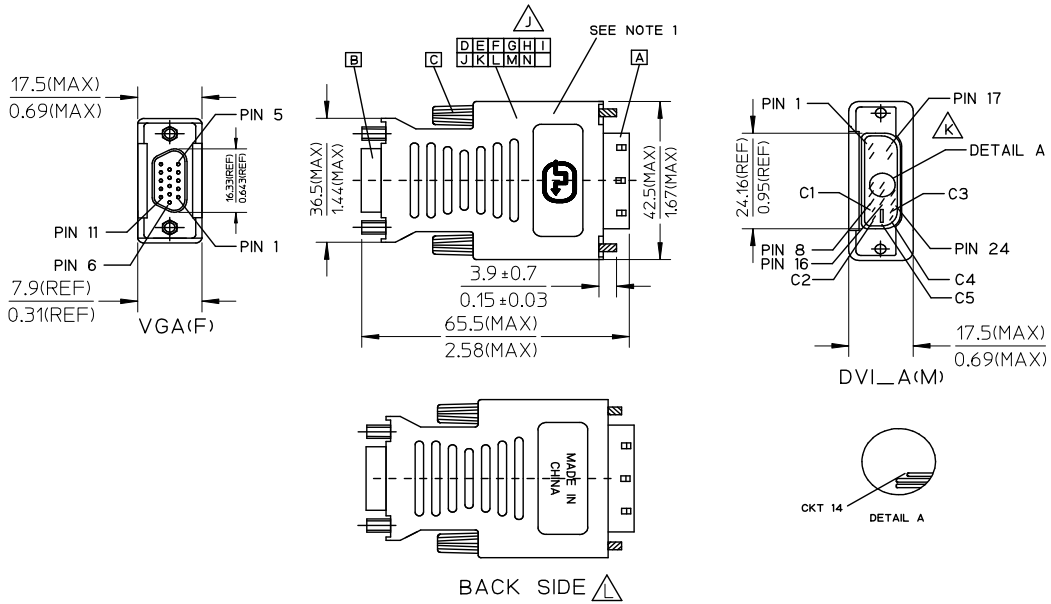
ITEM	DESCRIPTION
C	SCREW (WHITE) 887806002
B	FEMALE 15C D-SUB CONNECTOR 887899318
A	DVI_A G/F CONNECTOR 743230011

ENTER DESCRIPTION EC NO: DG2006-0186 2006/03/09 DRAWN: PDAI 2006/03/09 CHKD: APPR: TKAN 2006/03/10 DESCRIPTION REV	QUALITY SYMBOLS	GENERAL TOLERANCES (UNLESS SPECIFIED)	DIMENSION STYLE	SCALE	DESIGN UNITS	THIRD ANGLE PROJECTION	
	▽=0	mm INCH	MM/IN	---	METRIC	☉	
	▽/0	4 PLACES ± --- ± ---	DRAWN BY DATE	PDAI 2006/03/07	TITLE		DVI_A(M)-VGA(F) ADAPTER
		3 PLACES ± --- ± ---	CHECKED BY DATE	ZXDENG 2006/03/07	MATERIAL NO.		88741-8700
	2 PLACES ± --- ± ---	APPROVED BY DATE	BORON 2006/03/07	DOCUMENT NO.		SD-88741-008	
	1 PLACE ± --- ± ---	ANGULAR ± ---°		SHEET NO.		2 OF 2	
DRAFT WHERE APPLICABLE MUST REMAIN WITHIN DIMENSIONS			THIS DRAWING CONTAINS INFORMATION THAT IS PROPRIETARY TO MOLEX INCORPORATED AND SHOULD NOT BE USED WITHOUT WRITTEN PERMISSION				

6 5 4 3 2 1

7 6 5 4 3 2 1

REVISIONS				
ECN NO	REVISION	DATE	DESCRIPTION	CHANGER
CY12-8394	J	FEB.08.12	THE CUSTOMER REQUIRE ADD HST TO THE RGB WIRE	TLIN
CY13-6281	K	MAR.20.13	ADD ERROR-PROOF STRUCTURE IN THE OUTER COVER	TLIN
CY14-6482	L	APR.14.14	UPDATE BACK VIEW	AHOU



<b>ENTER DESCRIPTION</b> EC NO: CFG2014-3142 DRW: XJGU001 CHKD: AHOU APPR: FNIE	<b>QUALITY SYMBOLS</b> $\nabla = 0$ $\nabla = 0$ $\nabla = 0$	<b>GENERAL TOLERANCES (UNLESS SPECIFIED)</b>		<b>DIMENSION STYLE</b> MM/IN	<b>SCALE</b>	<b>DESIGN UNITS</b> METRIC	<b>THIRD ANGLE PROJECTION</b>			
		4 PLACES $\pm$ --- $\pm$ ---	3 PLACES $\pm$ --- $\pm$ ---	2 PLACES $\pm 0.25$ $\pm$ ---	1 PLACE $\pm 0.5$ $\pm$ ---	0 PLACE $\pm$ --- $\pm$ ---	DRAWN BY: XJGU001 DATE: 2013/04/10	CHECKED BY: HW.GAO DATE: 2013/04/10	APPROVED BY: XAWANG DATE: 2013/04/12	TITLE: DVI_A(M)-VGA(F) ADAPTOR
		ANGULAR $\pm 3^\circ$		DRAFT WHERE APPLICABLE MUST REMAIN WITHIN DIMENSIONS		MATERIAL NO. 887418700	DOCUMENT NO. SD-88741-8700	SHEET NO. 1 OF 2		
		THIS DRAWING CONTAINS INFORMATION THAT IS PROPRIETARY TO MOLEX INCORPORATED AND SHOULD NOT BE USED WITHOUT WRITTEN PERMISSION								

6 5 4 3 2 1

7	6	5	4	3	2	1
---	---	---	---	---	---	---

NOTES:

1. MATERIAL:
  - 1.1 MOLD WITH SNOW WHITE PVC RESIN FOR ADAPTOR COVER.
2. DVI CONNECTOR SPECIFICATION:
  - 2.1 REFER TO PRODUCT SPEC. PS74320-0001.
  - 2.2 CONTACT PLATING: GOLD FLASH.
3. ELECTRICAL PERFORMANCE:
  - 3.1 INSULATOR RESISTANCE: 20M OHMS MIN.
  - 3.2 DIELECTRONIC STRENGTH: 300V DC FOR 10 MILLISECONDS.
  - 3.3 IMPEDANCE: 75±10% OHMS ON THE CO-AXIAL WIRES.
4. THIS PRODUCT MUST MEET THE EU RoHS CHEMICAL SUBSTANCES SPECIFICATION FOR PRODUCT(EU 2002/95/EC)

SHIELD	SHIELD	GROUND
PIN R6,G7,B8	C 5	ANLOG GROUND
PIN 13	C 4	HORIZONTAL SYNC
PIN 3	C 3	ANLOG
PIN 2	C 2	ANLOG
PIN 1	C 1	ANLOG
PIN 5,10	PIN 15	GROUND(+5V * HV SYNC)
PIN 9	PIN 14,16	POWER +5V/HOT PLUG DETECT
PIN 14	PIN 8	VERTICAL SYNC
PIN 12	PIN 7	DDC DATA
PIN 15	PIN 6	DDC CLOCK
VGA	DVI_A	CABLE FUNCTION

ITEM	DESCRIPTION	L	QTY.
N	HOT SHRINK TUBE	A/R	3
M	UL1061 AWG28 BROWN	A/R	1
L	UL1061 AWG28 GREEN	A/R	1
K	UL1061 AWG28 YELLOW	A/R	1
J	UL1061 AWG28 ORANGE	A/R	1
I	UL1061 AWG28 RED	A/R	1
H	UL1061 AWG28 BLACK	A/R	1
G	COAXIAL #30 RED	A/R	1
F	COAXIAL #30 GREEN	A/R	1
E	COAXIAL #30 BLUE	A/R	1
D	COPPER FOIL		1
C	SCREW (WHITE)		2
B	FEMALE 15C D-SUB CONNECTOR		1
A	DVI_A G/F CONNECTOR		1

ENTER DESCRIPTION EC NO: CFG2014-3142 DRWN: JGU001 CHKD: AHU APPR: FNL 2014/04/16 2014/04/16 2014/04/23	QUALITY SYMBOLS ▽=0 ▽=0 ▽=0	GENERAL TOLERANCES (UNLESS SPECIFIED)		DIMENSION STYLE MM/IN		SCALE 1:1	DESIGN UNITS METRIC	THIRD ANGLE PROJECTION		
				mm	INCH	DRAWN BY XJGU001	DATE 2013/04/10	TITLE DVI_A(M)-VGA(F) ADAPTOR		
				4 PLACES ± ---	± ---	CHECKED BY HW.GAO	DATE 2013/04/10			
				3 PLACES ± ---	± ---	APPROVED BY XAWANG	DATE 2013/04/12			
		2 PLACES ± 0.25	± ---	MATERIAL NO. 887418700		DOCUMENT NO. SD-88741-8700		SHEET NO. 2 OF 2		
		1 PLACE ± 0.5	± ---	DRAFT WHERE APPLICABLE MUST REMAIN WITHIN DIMENSIONS THIS DRAWING CONTAINS INFORMATION THAT IS PROPRIETARY TO MOLEX INCORPORATED AND SHOULD NOT BE USED WITHOUT WRITTEN PERMISSION						
		0 PLACE ± ---	± ---							

6	5	4	3	2	1
---	---	---	---	---	---