



Distributor of TE Connectivity AMP Connectors: Excellent Integrated System Limited
Datasheet of 745205-2 - D-Sub Connector Receptacle, Female Sockets 15 Position Free
Hanging (In-Line) IDC, Discrete Wire

Contact us: sales@integrated-circuit.com Website: www.integrated-circuit.com

Excellent Integrated System Limited

Stocking Distributor

Click to view price, real time Inventory, Delivery & Lifecycle Information:

[TE Connectivity AMP Connectors](#)
[745205-2](#)

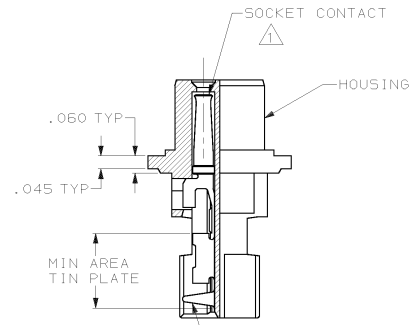
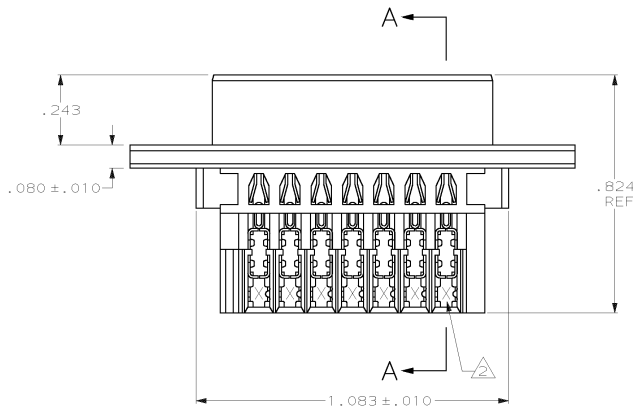
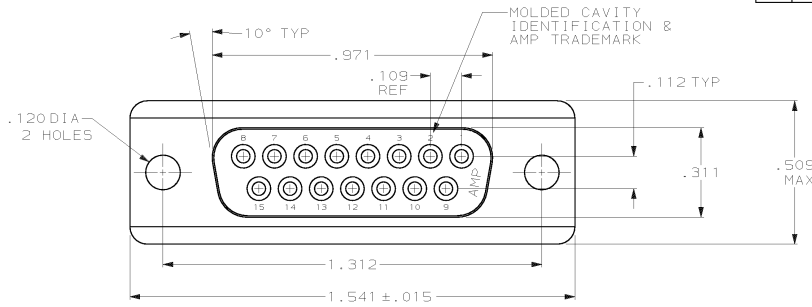
For any questions, you can email us directly:

sales@integrated-circuit.com

DRAWING MADE IN THIRD ANGLE PROJECTION

THIS DRAWING IS UNPUBLISHED. RELEASED FOR PUBLICATION .19
 © COPYRIGHT 19 BY AMP INCORPORATED. ALL INTERNATIONAL RIGHTS RESERVED.

REVOLUTIONS				REVISIONS	
REV	DATE	DESCRIPTION	DATE	APPD	
GP	00				
		M	REVISED PER EC 0513-0300-04	20SEP04	JG



SECTION A-A

- ① HOUSING FULLY LOADED WITH CONTACTS.
- ② NUMBER ON CONTACT INDICATES WIRE RANGE.
- ③ CONTACT INSULATION RANGE: .050 MAXIMUM O.D.
- ④ CONTACTS PLATED .000030 GOLD ON MATING END FOR .100 MIN LENGTH. .000100-.000200 THICK BRIGHT TIN OR BRIGHT TIN-LEAD IN AREA SHOWN. .000050 THICK NICKEL UNDERPLATE ON ENTIRE CONTACT.
- ⑤ CONTACTS PLATED WITH GOLD FLASH ON MATING END FOR .100 MIN LENGTH. .000100-.000200 THICK BRIGHT TIN OR BRIGHT TIN-LEAD IN AREA SHOWN. .000050 THICK NICKEL UNDERPLATE ON ENTIRE CONTACT.
- ⑥ CONTACTS PLATED .000030 GOLD ON MATING END FOR .100 MIN LENGTH .000100-.000200 THICK MATTE TIN IN AREA SHOWN. .000050 THICK NICKEL UNDERPLATE ON ENTIRE CONTACT.
- ⑦ CONTACTS PLATED WITH GOLD FLASH ON MATING END FOR .100 MIN LENGTH. .000100-.000200 THICK BRIGHT TIN IN AREA SHOWN. .000030 THICK NICKEL UNDERPLATE ON ENTIRE CONTACT.

OBsolete	FINISH	AWG WIRE RANGE	PART NUMBER
⑦		2	#22-26 745205-8
⑥		2	#22-26 745205-7
⑤		3	#20-22 745205-6
④		2	#22-26 745205-5
③		1	#26-30 745205-4
②		3	#20-22 745205-3
①		2	#22-26 745205-2
①		1	#26-30 745205-1

DO NOT SCALE PRINT. UNLESS SPECIFIED DIMENSIONS IN INCHES TOLERANCES ON:		DR 4-9-90 J GALLUCCI BG		AMP INCORPORATED Harrisburg, Pa. 17105	
2 PLC DEC ± .005		CHK 6-21-90 W LENKER			
3 PLC DEC ± .005		APPO 6-22-90 J WESTMAN		NAME RECEPTACLE ASSEMBLY, SIZE 2, 15 POSITION, AMPLIMITE™	
ANGLES ± 2°		APPO 6-22-90 J ASSINI			
MATERIAL HOUSING: BLACK THERMOPLASTIC 94V-0 RATED		PRODUCT SPEC 108-40011		SIZE C FSCM NO 00779 DRAWING NO 745205	
CONTACTS: PHOSPHOR BRONZE		APPLICATION SPEC 114-40002			
FINISH SEE TABLE		WEIGHT -		SCALE 4:1 SHEET 1 OF 1	