

Excellent Integrated System Limited

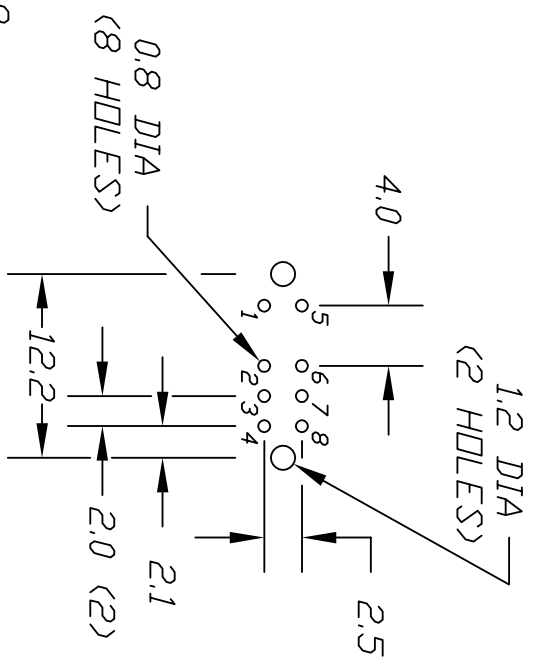
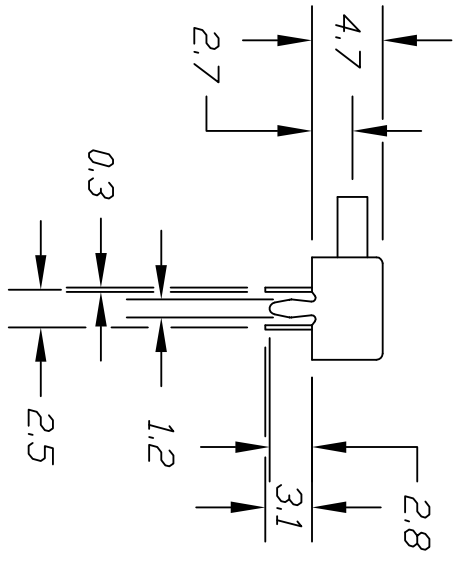
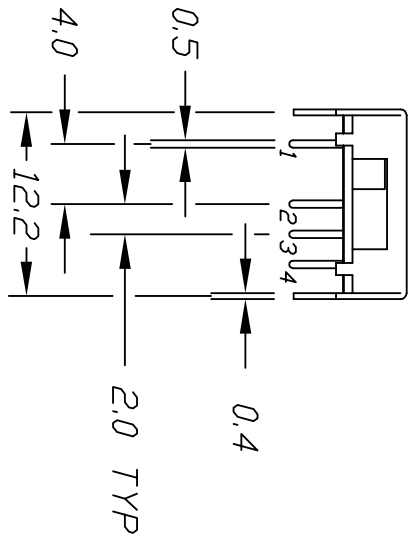
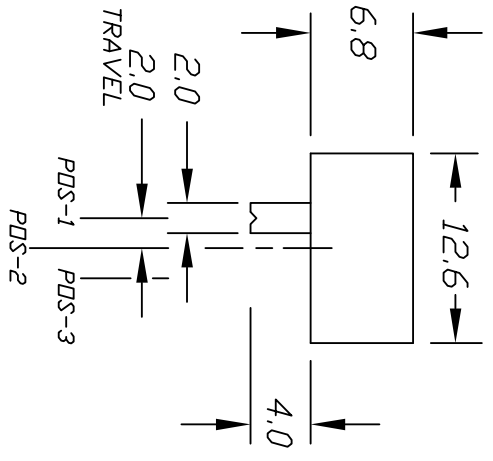
Stocking Distributor

Click to view price, real time Inventory, Delivery & Lifecycle Information:

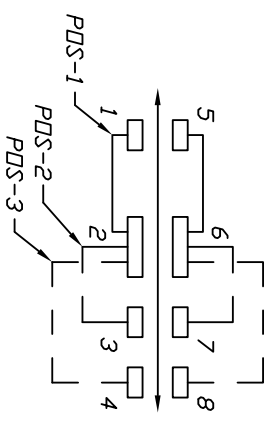
[E-Switch](#)
[EG2310A](#)

For any questions, you can email us directly:

sales@integrated-circuit.com



P.C.B. MOUNTING HOLES



CONTACT CONFIGURATION

NOTES:

1. ALL DIMENSIONS IN MM
2. TERM. NOS. FOR REF ONLY
3. RATING: 0.2A @ 30VDC
4. CIRCUIT: DP3T
5. TIMING: NON-SPECIFIED
6. 2002/95/EC (ROHS) COMPLIANT

B	ADD TIMING NOTE	1/1/20/09	BLR
REV.	DESCRIPTION	DATE	CHKD

TOLERANCES	
0.0	±0.4
0.00	±0.25

SCALE	DATE	DR	DWG	REV
2:1	12/28/94	JL	P040231	B
TITLE				
EG 2310A				

THE INFORMATION CONTAINED IN THIS DOCUMENT IS PROPRIETARY TO E-SWITCH AND IS NOT TO BE COPIED OR TRANSFERRED