



Distributor of Molex Connector Corporation: Excellent Integrated System Limited
Datasheet of 0743204000 - Connector Receptacle DVI-D, Dual Link 24 Position Through Hole,
Right Angle, Horizontal

Contact us: sales@integrated-circuit.com Website: www.integrated-circuit.com

Excellent Integrated System Limited

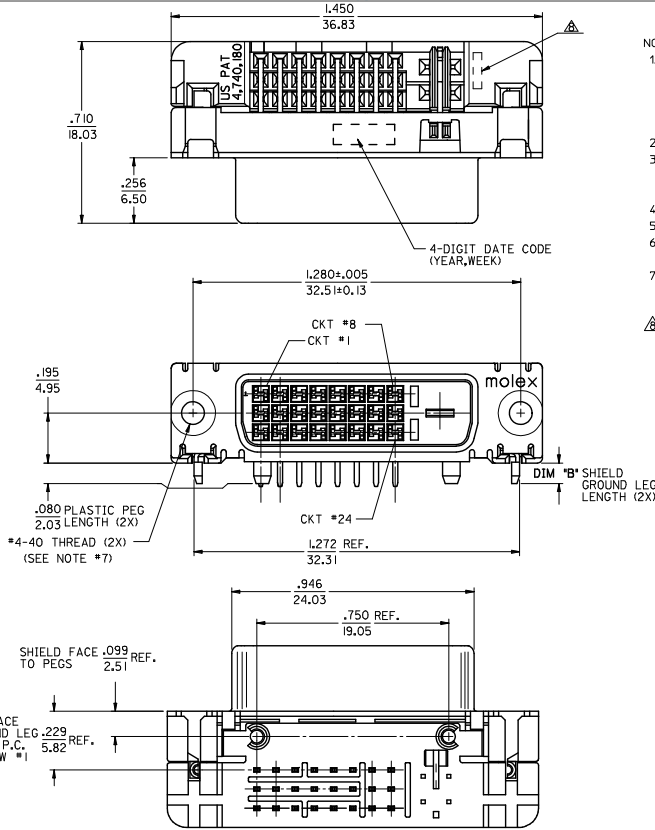
Stocking Distributor

Click to view price, real time Inventory, Delivery & Lifecycle Information:

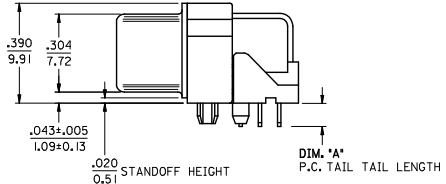
[Molex Connector Corporation](#)
[0743204000](#)

For any questions, you can email us directly:
sales@integrated-circuit.com

Contact us: sales@integrated-circuit.com Website: www.integrated-circuit.com



- NOTES:
- MATERIAL:
 - SHIELD: DEEP DRAW STEEL;
 - HOUSING: LCP, UL94V-0, NATURAL (WHITE);
 - TAIL ALIGNER: LCP, UL94V-0, NATURAL (WHITE);
 - CONTACT: COPPER ALLOY.
 - PLATING: SEE SHEET 2.
 - PRODUCT CONFORMS TO MOLEX PRODUCT SPECIFICATION NUMBER PS-74320-001. REFER TO THIS SPECIFICATION FOR SPACING ON A P.C.B. OF TWO OR MORE CONNECTORS WHEN USING A CABLE OR AN ADAPTER ASSEMBLY.
 - SEE SHEET 2 FOR RECOMMENDED PANEL CUT-OUT AND P.C.B. LAYOUT.
 - PARTS WILL BE PACKAGED IN TRAYS PER PK-74320-010.
 - PRODUCT CONFORMS TO DDWG DVI SPECIFICATION. REFER TO THIS SPECIFICATION FOR CONNECTOR MATING DIMENSIONS.
 - RECOMMENDED MOUNTING HARDWARE IS MOLEX P/N 71781-0001 OR 82007-0300 OR 88780-6066. REFER TO PRODUCT SPECIFICATION NUMBER PS-74320-001 FOR THIS APPLICATION TORQUE REQUIREMENT FOR ASSMBLING MOUNTING HARDWARE.
- △ CAVITY ID AND MANUFACTURING PLANT CODE.



PART NUMBER	PLATING OPTION	DIM A	DIM B
74320-4000	1	0.092/2.34	0.080±0.020
74320-4001	1	0.050/1.27	2.03±0.51
74320-4003	1	0.123/3.12	0.110/2.79
74320-4004	2	0.092/2.34	0.080±0.020
74320-4005	2	0.050/1.27	2.03±0.51
74320-4016	2	0.110/2.79	0.110/2.79
74320-4007	2	0.123/3.12	0.110/2.79

REV	DESCRIPTION	DATE
REVISED	EC. NO. SH2015-0200	2014/12/10
G	DRWN:XQZHANG	2014/12/10
	CHKD:XQZHANG	2015/02/09
	APPR:AYIN	

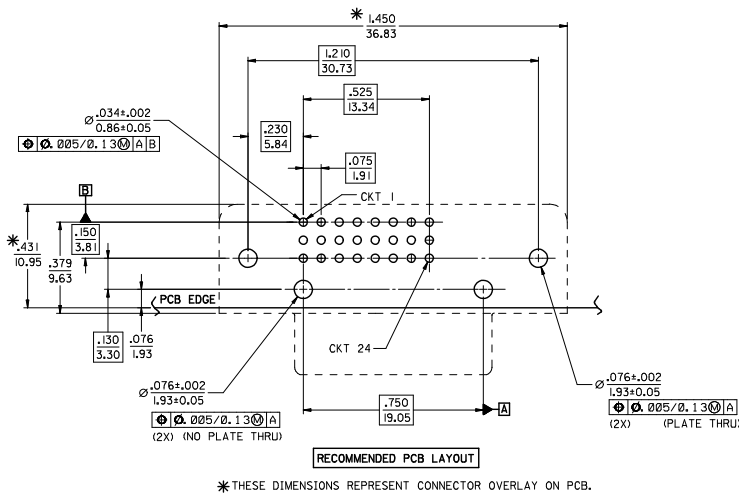
QUALITY SYMBOLS
▽=0
▽=0
▽=0

	GENERAL TOLERANCES (UNLESS SPECIFIED)	
	mm	INCH
4 PLACES	±---	±---
3 PLACES	±---	±0.010
2 PLACES	±0.25	±0.010
1 PLACE	±0.25	±0.010
0 PLACE	±---	±---
ANGULAR ±0.5°		
DRAFT WHERE APPLICABLE MUST REMAIN WITHIN DIMENSIONS		

DIMENSION STYLE		SCALE	DESIGN UNITS	THIRD ANGLE PROJECTION
IN/MM		1:1	INCH	THIRD ANGLE PROJECTION
DRAWN BY	DATE	TITLE		
XQZHANG	2014/12/10			
CHECKED BY	DATE			
XQZHANG	2014/12/10	DVI - DIGITAL RIGHT ANGLE RECEPTACLE CONNECTOR		
APPROVED BY	DATE			
AYIN	2015/02/09	DOCUMENT NO. SD-74320-003		
MATERIAL NO. SEE TABLE				

molex		SHEET NO.
		1 OF 2
THIS DRAWING CONTAINS INFORMATION THAT IS PROPRIETARY TO MOLEX INCORPORATED AND SHOULD NOT BE USED WITHOUT WRITTEN PERMISSION		

Contact us: sales@integrated-circuit.com Website: www.integrated-circuit.com



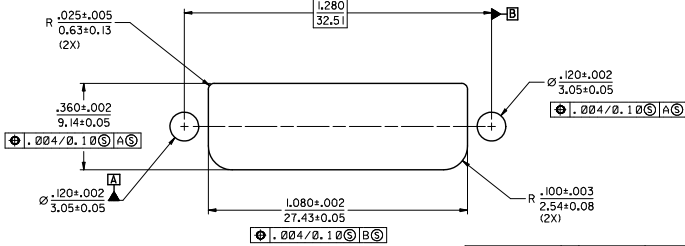
PLATING OPTIONS:

PLATING OPTION #1:

OUTER SHIELD -- 150µ/(3.75µm) MIN. BRIGHT TIN OVER
50µ/(1.27µm) MIN. NICKEL OVER COPPER FLASH.
.075"/(1.91mm) CONTACTS -- 30µ/(0.75µm) MIN. SELECT GOLD AND
100µ/(2.50µm) MIN. SELECT PURE TIN
OVER 50µ/(1.27µm) MIN. NICKEL OVERALL.

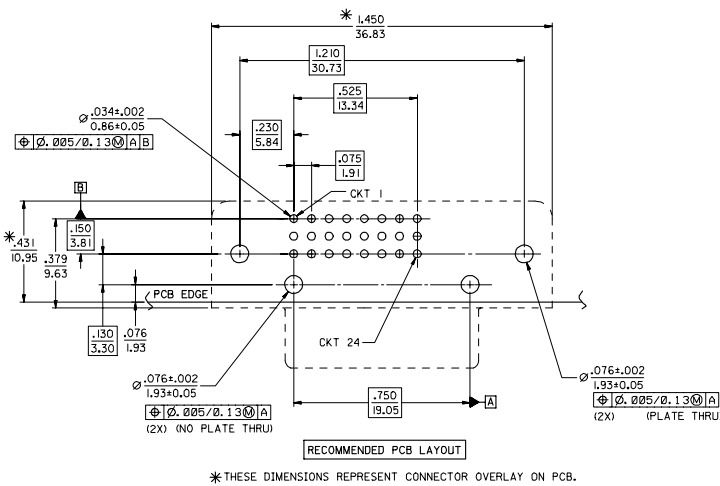
PLATING OPTION #2:

OUTER SHIELD -- 150µ/(3.75µm) MIN. BRIGHT TIN OVER
50µ/(1.27µm) MIN. NICKEL OVER COPPER FLASH.
.075"/(1.91mm) CONTACTS -- SELECT GOLD FLASH AND
100µ/(2.50µm) MIN. SELECT PURE TIN
OVER 50µ/(1.27µm) MIN. NICKEL OVERALL.



SEE SHEET 1 EC NO. SH2015-0200 DRAWN BY: XQZHANG 2014/12/10 CHECKED BY: XQZHANG 2014/12/10 APPROVED BY: AYIN 2015/02/09	QUALITY SYMBOLS	GENERAL TOLERANCES (UNLESS SPECIFIED)	DIMENSION STYLE IN/MM	SCALE 1:1	DESIGN UNITS INCH	THIRD ANGLE PROJECTION	
	$\nabla=0$ $\nabla=0$ $\nabla=0$	4 PLACES ± --- ± --- 3 PLACES ± --- ± 0.010 2 PLACES ± 0.25 ± 0.010 1 PLACE ± 0.25 ± 0.010 0 PLACE ± --- ± ---	DRAWN BY DATE XQZHANG 2014/12/10 CHECKED BY DATE XQZHANG 2014/12/10 APPROVED BY DATE AYIN 2015/02/09	TITLE	DVI - DIGITAL RIGHT ANGLE RECEPTACLE CONNECTOR		
	ANGULAR ± 0.5° DRAFT WHERE APPLICABLE MUST REMAIN WITHIN DIMENSIONS	MATERIAL NO. SEE SHEET 1	DOCUMENT NO.	SD-74320-003			
	SIZE A3	THIS DRAWING CONTAINS INFORMATION THAT IS PROPRIETARY TO MOLEX INCORPORATED AND SHOULD NOT BE USED WITHOUT WRITTEN PERMISSION					

Contact us: sales@integrated-circuit.com Website: www.integrated-circuit.com



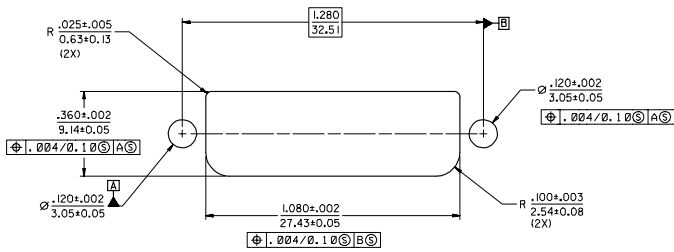
PLATING OPTIONS:

PLATING OPTION #1:

OUTER SHIELD -- 150 μ /(3.75 μ m) MIN. BRIGHT TIN OVER
50 μ /(1.27 μ m) MIN. NICKEL OVER COPPER FLASH.
.075"/(1.91mm) CONTACTS -- 30 μ /(0.75 μ m) MIN. SELECT GOLD AND
100 μ /(2.50 μ m) MIN. SELECT PURE TIN
OVER 50 μ /(1.27 μ m) MIN. NICKEL OVERALL.

PLATING OPTION #2:

OUTER SHIELD -- 150 μ /(3.75 μ m) MIN. BRIGHT TIN OVER
50 μ /(1.27 μ m) MIN. NICKEL OVER COPPER FLASH.
.075"/(1.91mm) CONTACTS -- SELECT GOLD FLASH AND
100 μ /(2.50 μ m) MIN. SELECT PURE TIN
OVER 50 μ /(1.27 μ m) MIN. NICKEL OVERALL.



RECOMMENDED PANEL CUT-OUT
PANEL THICKNESS: .030" - .040"

SEE SHEET 1	2007/06/05	2007/06/05	2007/06/05
EC NO: SH12007-0732	DRW: XJSONG	CHKD: JIJIAN	APPR: JICHEN
REV	DESCRIPTION	QUALITY SYMBOLS	GENERAL TOLERANCES (UNLESS SPECIFIED)

QUALITY SYMBOLS	GENERAL TOLERANCES (UNLESS SPECIFIED)
$\nabla = 0$	4 PLACES \pm --- \pm ---
$\nabla = 0$	3 PLACES \pm --- \pm .010
	2 PLACES \pm 0.25 \pm .010
	1 PLACE \pm 0.25 \pm .010
	ANGULAR $\pm 1/2^\circ$

DIMENSION STYLE	SCALE	DESIGN UNITS	THIRD ANGLE PROJECTION
IN/MM	2:1	INCH	
DRAWN BY	DATE	TITLE	
MOSULL IV	1999/02/12	DVI-DIGITAL RIGHT ANGLE RECEPTACLE CONNECTOR	
CHECKED BY	DATE		
MOSULL IV	1999/02/12		
APPROVED BY	DATE		
NELLIGAN	1999/02/12		
MATERIAL NO.	DOCUMENT NO.		
SEE CHART	SD-74320-003		
SIZE	THIS DRAWING CONTAINS INFORMATION THAT IS PROPRIETARY TO MOLEX INCORPORATED AND SHOULD NOT BE USED WITHOUT WRITTEN PERMISSION		
A3			

DRAWN BY	DATE	TITLE	
MOSULL IV	1999/02/12	DVI-DIGITAL RIGHT ANGLE RECEPTACLE CONNECTOR	
CHECKED BY	DATE		
MOSULL IV	1999/02/12		
APPROVED BY	DATE		
NELLIGAN	1999/02/12		
MATERIAL NO.	DOCUMENT NO.		
SEE CHART	SD-74320-003		
SIZE	THIS DRAWING CONTAINS INFORMATION THAT IS PROPRIETARY TO MOLEX INCORPORATED AND SHOULD NOT BE USED WITHOUT WRITTEN PERMISSION		
A3			