

Excellent Integrated System Limited

Stocking Distributor

Click to view price, real time Inventory, Delivery & Lifecycle Information:

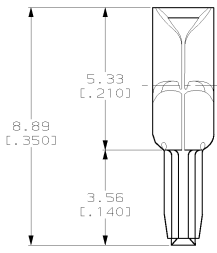
[TE Connectivity AMP Connectors
552967-1](#)

For any questions, you can email us directly:

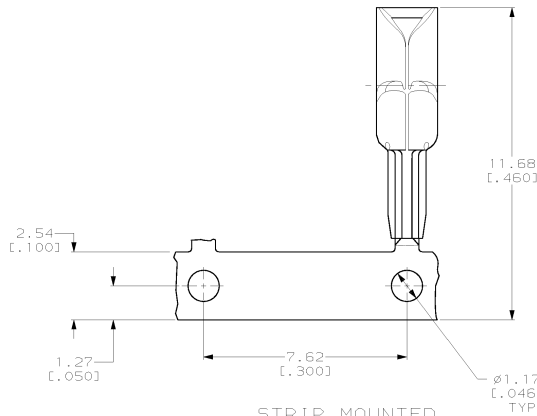
sales@integrated-circuit.com

THIS DRAWING IS UNCLASSIFIED. RELEASED FOR PUBLICATION BY AMP INCORPORATED. ALL RIGHTS RESERVED.

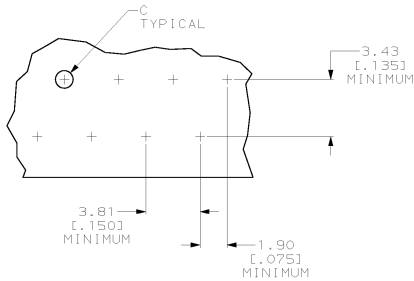
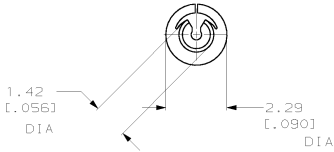
| REV | DESCRIPTION | DATE | BY | APP'D |
|-----|----------------------|---------|----|-------|
| 1 | REV; EC 0B40-0280-00 | 13DEC09 | GG | BT |



LOOSE PIECE



STRIP MOUNTED



SUGGESTED PRINTED CIRCUIT BOARD MOUNTING DIMENSIONS
 SCALE 8:1

- ALL DIMENSIONS SHOWN ARE FOR REFERENCE ONLY.
- FOR USE IN PRINTED CIRCUIT BOARDS 3/64, 1/16 AND 3/32 THICK.
- WIRE RANGE: 22-28 AWG (SOLID) OR (STRANDED) WIRE. MAXIMUM OUTSIDE DIAMETER 1.34 (.053).
- FURNISHED AS LOOSE PIECE OR STRIP MOUNTED BY SMALL END OF BARREL.
- TERMINAL SHALL ACCOMMODATE ONE OR TWO WIRES OF THE SAME TYPE AND WITHIN +/- ONE WIRE GAUGE SIZE.
- STRIFE OF NICKEL SOLDER RESIST INSIDE OF TERMINAL PREVENTS SOLDER WICKING.

7. SELECTIVELY PREPLATED 0.00381 [.000150] MIN MATTE TIN-LEAD OVER 0.00127 [.000050] MIN MATTE NICKEL.

| PUNCHED HOLE | DRILLED HOLE | DESCRIPTION | PART NUMBER |
|-----------------------|-----------------------|---------------|-------------|
| 1.22-1.32 [.048-.052] | 1.27-1.37 [.050-.054] | STRIP MOUNTED | 552967-2 |
| | | LOOSE PIECE | 552967-1 |

| | | | |
|--|--|---|--|
| DIMENSIONS: min (INCHES) 1 P.L.C. ++ 2 P.L.C. ++ 3 P.L.C. ++ 4 P.L.C. ++ | | DATE: J.R. RUTH 28K4100 D.P.E. HOWARD 28K4100 E. HOWARD 28K4100 R.P.D. HOWARD 28K4100 PRODUCT SPEC: - APPLICATION SPEC: - REVISION: - WEIGHT: - FINISH: P/TIN | AMP AMP Incorporated Harrisburg, PA 17105-3608 NAME: TERMINAL, ϕ .090, AMP BARREL WITH SOLDER RESIST SIZE: A2 CASE CODE: 00779 DRAWING NO: C-552967 SCALE: 10:1 SHEET 1 OF 1 REV F |
|--|--|---|--|